



	19" TiRAX cabinet system	from page	3	
	19" NETcell cabinet system	from page	31	
	Open 19" racks	from page	43	
	Wall-mounting/stand-alone distribution systems	from page	53	
	Wall-mounting enclosure systems	from page	63	
	Air conditioning technology	from page	77	
	Power distribution system	from page	85	
	Cabinet monitoring	from page	101	
	Cable management	from page	105	
	Workstation systems	from page	109	
	General accessories/ distribution technology	from page	123	



You can read more about products from the apra-group at www.apra-norm.com



Wall-mounting enclosure systems



VARI 2000

from page 65

- the space-saving wonder
- patented enclosure system
- optimum accessibility



VARIindustry

from page 68

- protection class IP 54
- the space-saving wonder for industrial use
- optimum assembly and installation conditions
- also supplied with cooling device



optiRACK

from page 71

- low-cost solution
- quick installation



FO splice case

from page 74

- modular space saving small enclosure
- internal components installed easily due to detachable door



LAN small distribution cabinet

from page 75

- two-part enclosure (patch area/cable entry area)
- for FO and copper use



The revolution in wall-mounting enclosure technology

The patented wall-mounting enclosure provides you with a stylish, space-saving enclosure solution for your network cabling.

VARI 2000



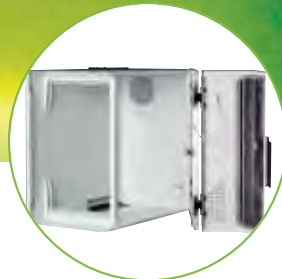
vertical 19" level



space-saving with single-leaf door (3 U/ 4 U/ 6 U)



optimum access through split door solution (6 U/12 U)



180° opening angle with apra-norm hinges



Sample configurations

19" wall-mounting enclosures VARI 2000

The precision of these enclosures is due to the design. The 19" levels are attached vertically to the wall so that the installation area of the equipment does not protrude into the room.

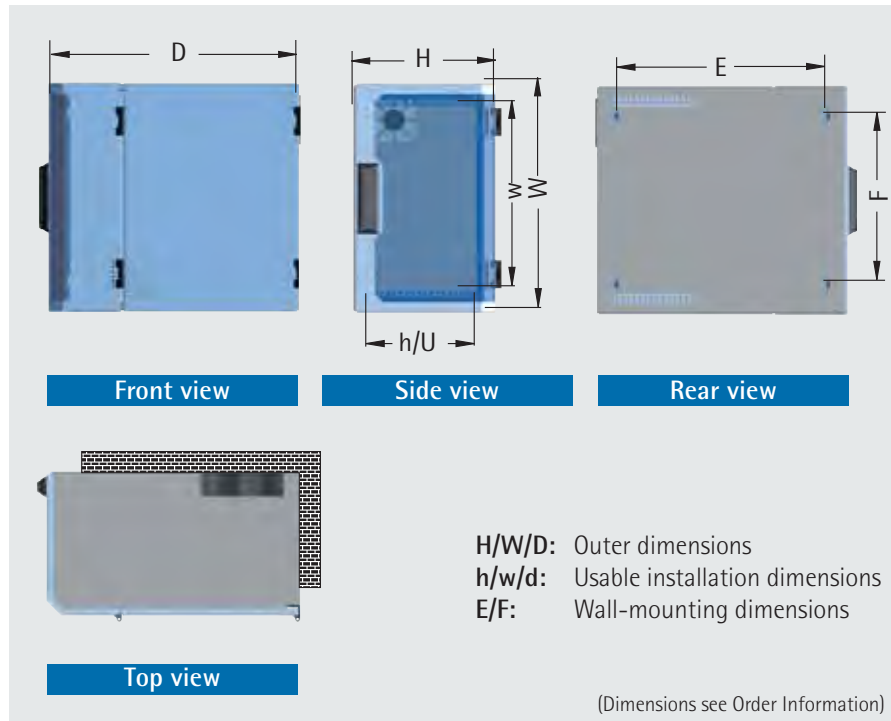
The door of the VARI 2000 enclosure series ensures full access from two open sides, without pivoting the 19" level. The door of VARI 2000 3 and 4 U wall-mounting enclosures is a single piece with a window. Sizes 6 and 12 U have double doors. You first open the glass door to access the area in front of the 19" level and then the second door to access the entire rear cabling area. The combined front and side door can be equipped with different locking systems so that defined access privileges can be assigned.

The apra-norm 180° hinge even allows VARI 2000 enclosures to be installed in corners while still providing a complete 90° opening angle.

- stylish enclosure solution
- space-saving
- optimum assembly and installation conditions
- combined folding away of front and side door (from 6 U)
- separate access privileges for front and side doors (from 6 U)
- simple air-conditioning options
- can also be installed in a corner or wall recess while allowing full access to the interior of the enclosure
- cable entry with integrated strain relief from above and/or below (also from the side in 12 U enclosures), covered by a sealing brush
- installation dimensions to IEC 297-1



Technical information



Application:

space-saving, wall-mounting enclosure for network cabling

Construction:

sturdy spot-welded and powder-coated sheet metal construction

Finish: RAL 7035 light grey

Material: sheet metal/plastic

Standards: Installation dimensions to IEC 297-1

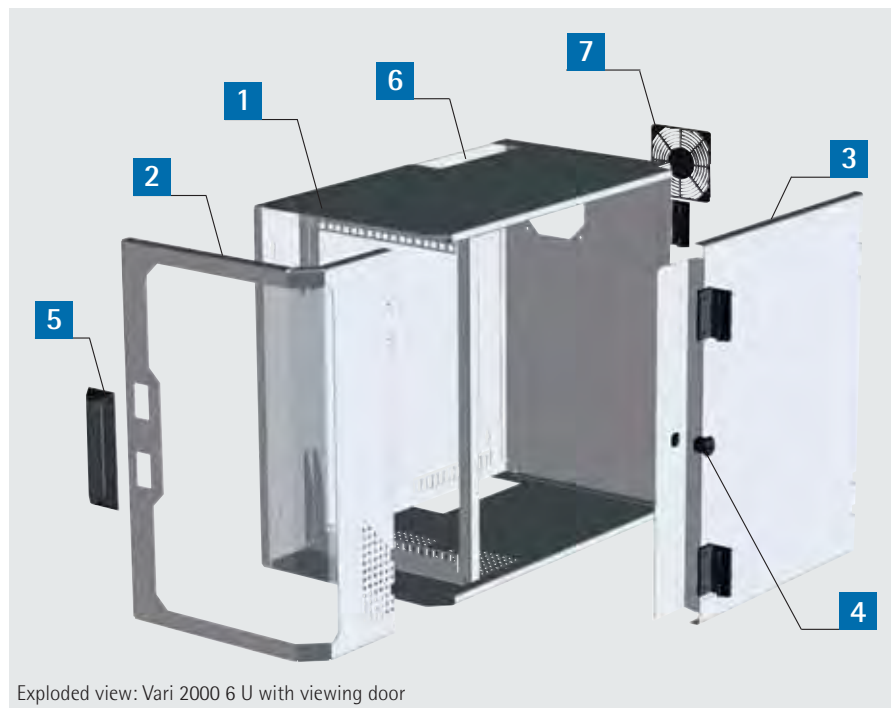
Delivery:

assembled (complete with earthing)

The 12 U wall mounting enclosure is based on two 6 U 19" fastening levels which are stacked under each other. The enclosure height H therefore remains low.

Scope of delivery

Item	3 U1	4 U1	6 U1	12 U1	Description
1	1	1	1	1	Enclosure chassis
2	1	1	1	1	Door with acrylic glass pane / steel metal door
3	-	-	1	1	Door, solid
4	1	1	1	2	Polyamide sash lock with hook tongue
5	-	-	1	1	Turning lever lock
6	2	2	2	4	Sealing brush, W=210 mm
7	1	1	1	1	Protective grille, clippable, for 119 x 119 mm fans
8	1	1	1	1	Mounting material



Order information

Description	Outer dimensions (H x W x D) mm	Usable installation dimensions (h x w x d) mm	Wall mounting dimensions (E x F) mm	Order no. Enclosure with single-leaf door	Order no. Enclosure with split door
VARI 2000 3 U	185 x 506 x 536	132.5 x 450 x 383	410 x 360	213-030-00	-
VARI 2000 4 U	230 x 506 x 536	177 x 450 x 383	410 x 360	213-031-00	-
VARI 2000 6 U	360 x 557 x 636	267 x 450 x 475	510.5 x 408.5	213-032-60	213-032-00
VARI 2000 12 U	360 x 1103 x 636	267 x 2x450 x 475	510.5 x 954.5	-	213-034-00



Mounting plate



- mounting plate for rear wall
- for mounting outlets/terminal boxes or other accessories

Finish: galvanised

Order no.
213-030-20

Power strip (3-way)



- with overvoltage protection
- power cord (2.5m) with Schuko plug
- attach to the rear wall of the enclosure
- length 335 mm

Order no.
591-200-00

plug & play module



- temperature-controlled fan
- power strip, 3 sockets with overvoltage protection
- junction box
- power cord (2.5m) with Schuko plug
- protective earthing kit

Order no.
213-030-41

Shelf 1 U, vertical

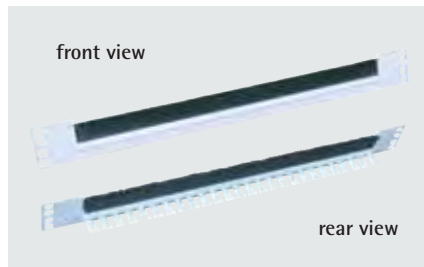


- for installation of non-19"-compatible components
- depth 250 mm

Finish: RAL 7035 light grey

Order no.
213-030-22

19" cable feed 1 U

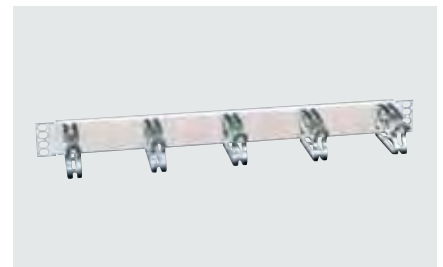


- for cable entry behind the 19" level
- with brush and strain relief rail
- brush height: 25 mm

Finish: RAL 7035 light grey

Order no.
213-146-00

19" cable routing panel 1 U

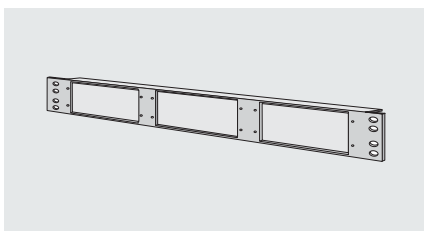


- with 5 cable entry clamps made of plastic or metal
- for clear, neat and horizontal cable entry at the 19" level
- includes mounting material

Finish: RAL 7035 light grey

Description	Order no.
Cable clips, plastic	213-145-00
Cable clips, metal	213-145-25

19" front panel 1U

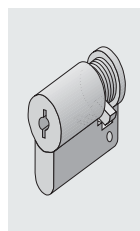


- to accommodate 3 modules or front plates 3 U, 8 UP

Finish: RAL 7035 light grey

Order no.
213-029-00

Profile half cylinder



- for 6 U and 12 U enclosures
- for retrofitting to lockable doors with keys

Order no.
676-062

Pivoting lever lock



- for profile key locking for single-leaf door design 3 U / 4 U variants

Order no.
676-197

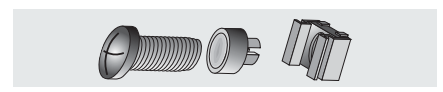
"Universal" velcro strip



- for quickly securing non-19"-compatible components
- L x W: 400 x 20 mm
- back-to-back mounting

Order no.
671-122-04

19" screw set M 5 / M 6 (50x)



Description	Order no. (set)
Screw set M 5	630-991
Screw set M 6	630-994

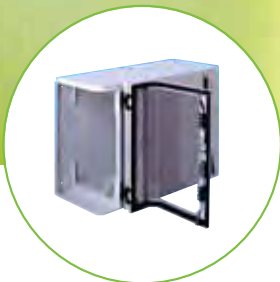


The wall-mounting enclosure solution for rough industrial use

VARIindustry



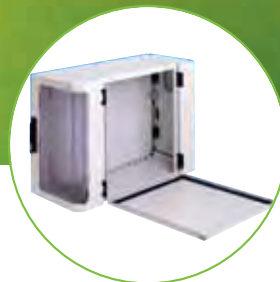
Sample configuration



three-point lock



optimum accessibility
from both sides



detachable front cover



VARI Industry

- protection class IP 54
- visually stylish enclosure
- space-saving design
- stable basic construction
- 2 doors with turning lever lock and three-point locking system
- one side with integrated glass pane
- detachable front cover
- doors with 180° hinges for optimum accessibility
- profile half-cylinder lock: double bit key 5 mm
- integrated cable flange plates
- installation dimensions to IEC 297-1
- integrated outlet filter (IP 54) for fan installation

The visually striking and stylish enclosure is ideal for use as a compact switch cabinet solution or for network cabling in tougher environments. The high degree of protection (IP 54) and the stable structure of the enclosure protect your installations to optimum effect against dust, moisture and mechanical influences.

Enclosure height remains low due to vertical layout of 19" attachment level. The front and rear doors plus detachable front cover ensure optimum accessibility. Upper and lower cable flange plates enable the cable entry into the enclosure.



Technical information

Application:

Use as wall-mounting enclosure for tight spaces and unfavourable environmental conditions such as high humidity and dust

Construction:

sturdy spot-welded and powder-coated sheet metal construction

Finish:

RAL 7035 light grey

Protection class:

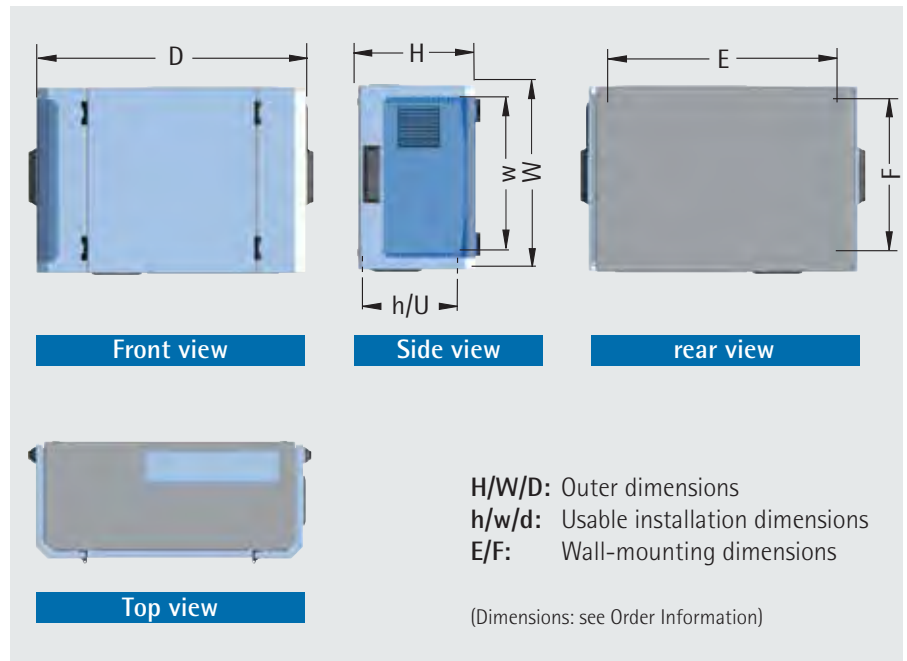
IP 54

Standards:

Installation dimensions to IEC 297-1

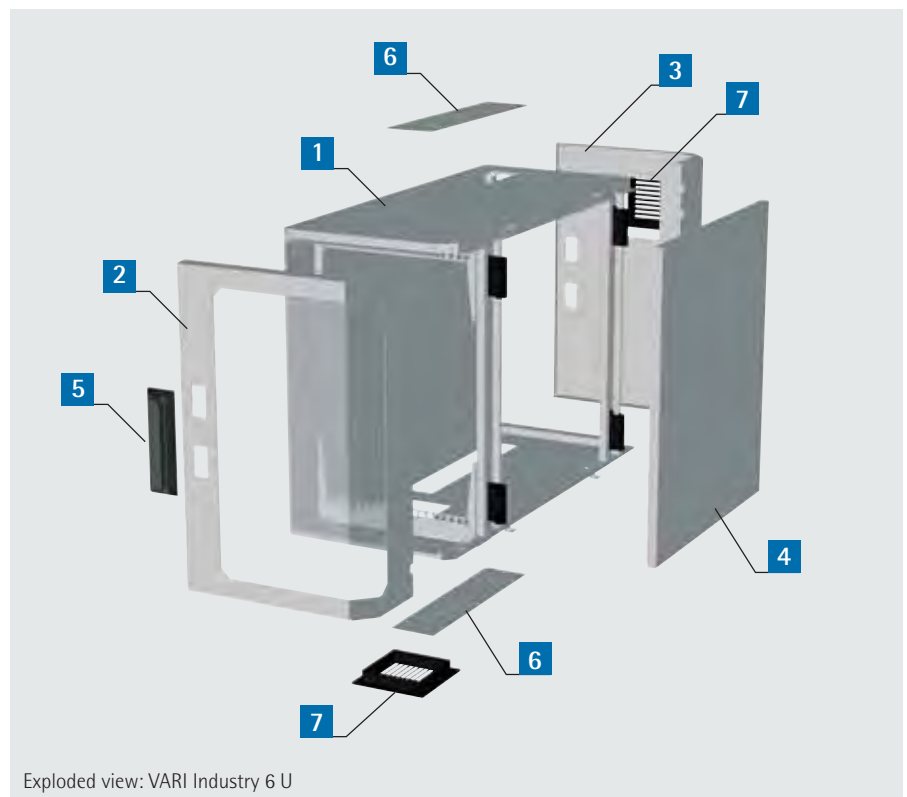
Delivery:

assembled



Scope of delivery

Item	Pc.	Description
1	1	Enclosure chassis
2	1	Door with plexiglass pane
3	1	Door with cutout for fans
4	1	Front cover, detachable
5	2	Turning lever locks with 3-point locking system and double-bit mechanism (5 mm)
6	2	Cable flange plates
7	2	Outlet filter, IP 54, for 119 × 119mm fans
	1	Mounting material



Order information

Description	Outer dimensions (H × W × D) mm	Usable installation dimensions (h × w × d) mm	Wall mounting dimensions (E × F) mm	Order no.
VARI Industry 4 U	275 × 560 × 840	177 × 449 × 650	680 × 450	306-040-00
VARI Industry 6 U	365 × 560 × 840	267 × 449 × 650	680 × 450	306-060-00



Sample configuration



VARI Industry "cool-box" 6 U

- air-conditioned wall-mounting enclosure for industrial environments
- 380 W cooling unit can be assembled on the detachable front cover

Dimensions (H x W x D):
522 mm x 560 mm x 840 mm

Finish:
RAL 7035 light grey

Protection class:
IP 54

Delivery:
prepared for mounting of cooling unit
(cooling unit included in delivery)

Order no.
306-060-20

Accessories VARI Industry and VARI Industry "cool-box"

"Universal" velcro strip

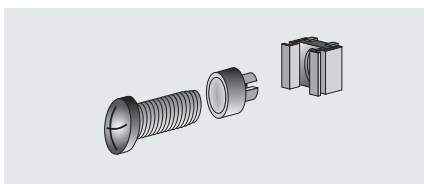


- for quickly securing **non 19"-compatible** components
- length: 400 mm, Width: 20 mm
- back to back mounting

Material: velcro, black

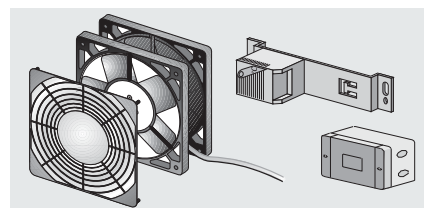
Order no.
671-122-04

19" screw set M 5/M 6 (50x)



Description	Order no. (set)
Screw set M 5	630-991
Screw set M 6	630-994

Fan set

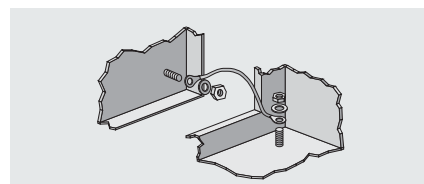


- Fan set consisting of:
- fan, 230V, 160m³/h, 41dB(A)
 - fan guard
 - outlet
 - thermostat, 0-60°C

Delivery: assembly set with mounting mat.

Order no.
306-060-15

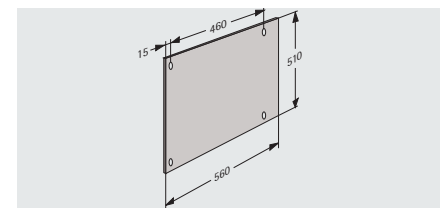
Earthing kit



- for VDE-compliant protective earthing connection

Order no. (set)
306-060-50

Mounting plate

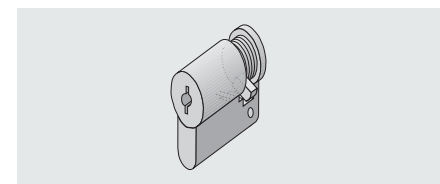


- for mounting of heavy components
- includes mounting material

Finish: galvanised

Order no.
306-060-70

Profile half cylinder



- for retrofitting to lockable doors with keys
- incl. 2 keys

Order no.
676-062



optiRACK



figure shows standard colours: design profile in RAL 5014 pigeon blue



design profiles are available in different RAL-colours

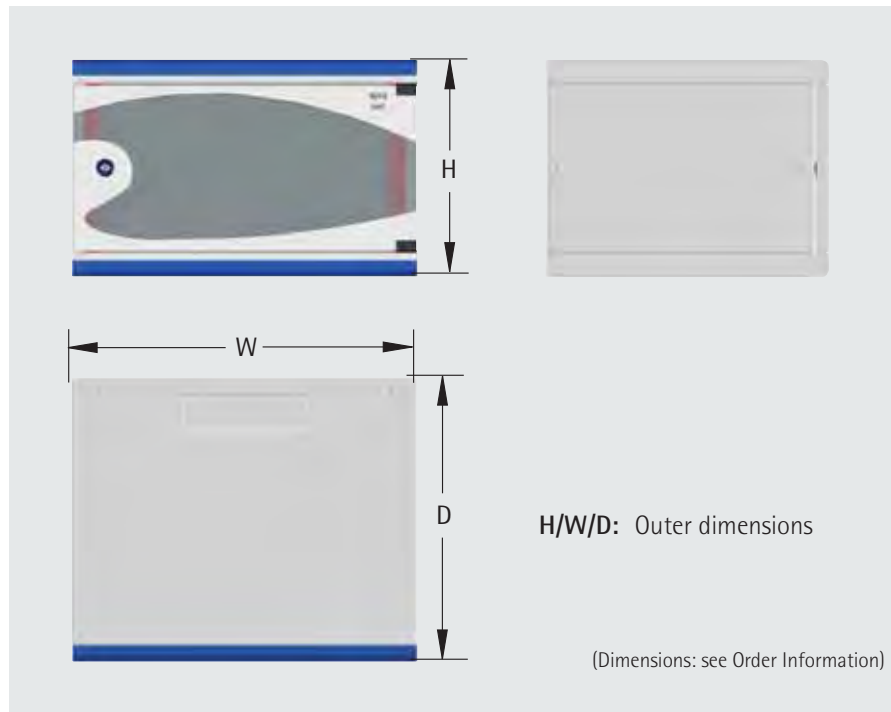
optiRACK

- protection class IP 20
- stylish enclosure solution
- optimum accessibility
- installation in just a few steps
- the coloured profile may be used as thematic coding. Through the use of coloured profiles in corporate colours, corporate identity can also be expressed in the network installation.

The new optiRACK wall mounting/stand-alone enclosure makes networking installations simple, since the detachable door and side panels enable optimum accessibility inside the enclosure. Cabling can therefore be performed in the open rack. The two-coloured design and the chamfered front upgrade its appearance significantly. The standard colour of the design profile is RAL 5014 (pigeon blue); other colours may be supplied on request.



Technical information



Application:

space-saving wall-mounting enclosure for network cabling

Finish:

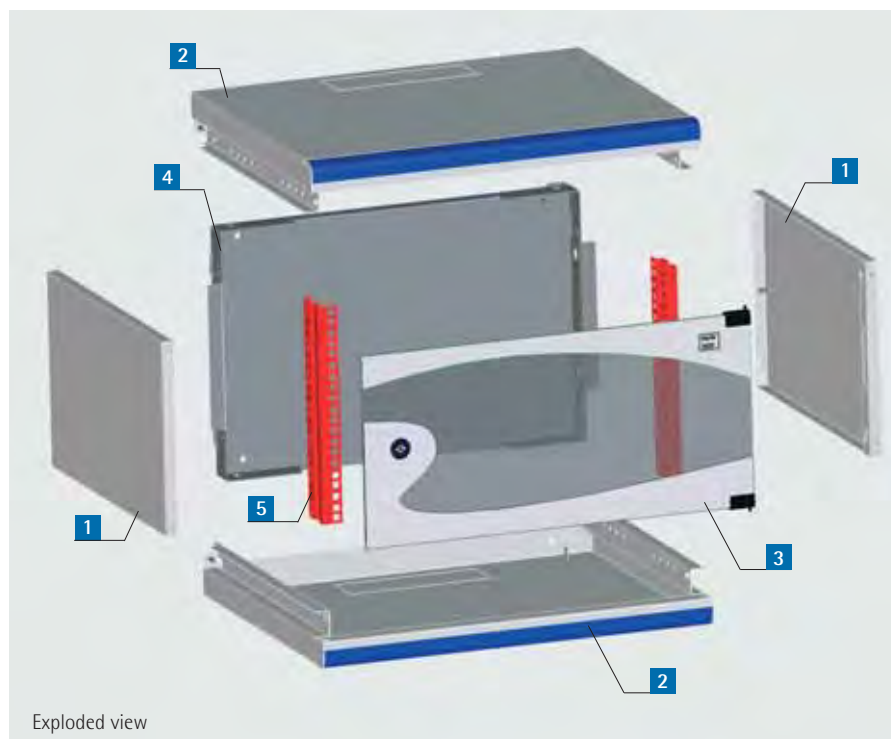
Enclosure: painted RAL 7035 light grey
Design profile: painted in RAL 5014 pigeon blue

Material:

sheet steel

Delivery:

assembled



Scope of delivery

Item	Pc.	Description
1	2	Side panels
2	2	Top/bottom plate with precut openings for cable entry
3	1	Viewing door with 180° hinge
4	1	Rear wall
5	2	Individually depth adjustable 19" vertical mountings
	1	Earthing kit

Order information

Description	Outer dimensions (H × W × D) mm	Order no.
optiRack 6 U	345 × 550 × 450	350-001-06
optiRack 9 U	480 × 550 × 450	350-001-09
optiRack 12 U	612 × 550 × 450	350-001-12
optiRack 15 U	745 × 550 × 450	350-001-15



www.apranet.de

optiRACK "silent" underbench cabinet

- sound-insulating enclosure with viewing door
- detachable side panels
- 19" expansion 12 U variable depth

Available in two versions:

Version 1 "passive":
with ventilation grille (prepared without fan for passive ventilation of the enclosure)

Version 2 "active":
prepared with speed-controlled fan for active ventilation of the enclosure (fan: 12 V DC, 180 m³/h, 42 DB)

Outer dimensions (H x W x D):
12 U (615 mm) x 550 x 600 mm

Material: sheet steel

Finish:
Enclosure: RAL 7035 light grey Design Profile: RAL 5014 pigeon blue (other colours on request)

Delivery:
assembled

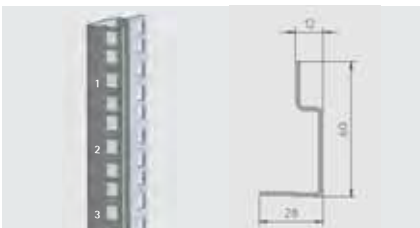


Fig: Version 2 "active"

Description	Order no.
Version 1 "passive"	350-001-60
Version 2 "active"	350-001-61



19" vertical mounting

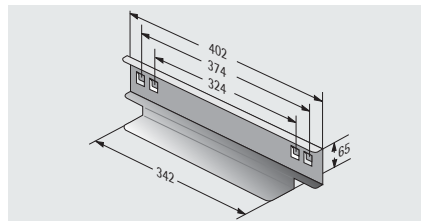


- with U-labelling
- height: 12 U

Material: sheet metal, galvanised

Order no.
316-120-12

Slide rail, hook-in

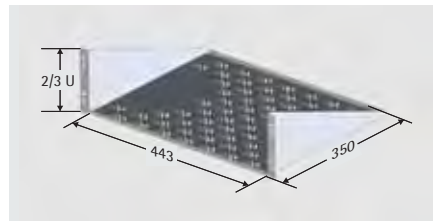


- hooked in the 19" vertical mountings
- to support heavy 19" plug-in units
- two 19" levels are required

Material: sheet metal 1.5 mm, galvanised
Load capacity: 50 kg

Order no. (pair)
316-544-00

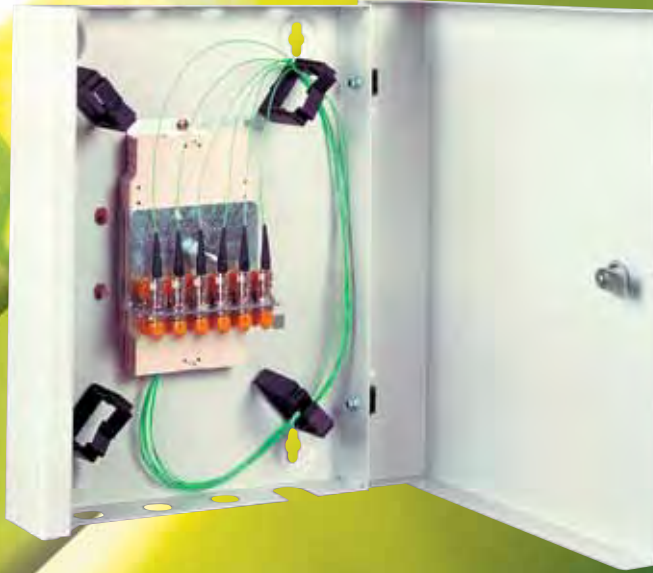
19" shelf, fixed



- simple assembly on a 19" grid (only one 19" level required)
- ventilated
- height: 2 U

Finish: RAL 7035 light grey
Material: sheet metal
Load capacity: 15 kg

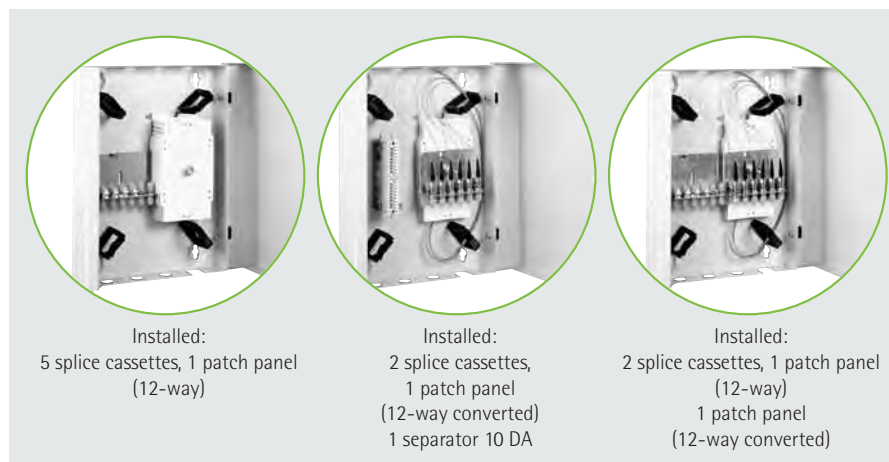
Order no.
315-810-20



FO splice distribution case

- modular and space saving mini-enclosure
- up to 10 splice cassettes may be integrated
- easy interior assembly due to detachable door
- clean and controlled FO storage by using four integrated cable routing clamps
- 3 versions available
- additional components may be integrated: two 10 DA separator strips or 12-way FO patch panel or additional splice cassette holder
- also available pre-configured

Sample configurations



Technical information

Application:

to accommodate a maximum of 10 splice cassettes, two 10 DA separators or 12-way FO patch panels.

Finish: RAL 7035 light grey

Dimensions (H x W x D):
335 x 265 x 70 mm

Material: sheet metal

Delivery: mounted

Matching CU and FO components are available on request!

Order information

Description	Description	Order no.
FO splice distrib. version 1	Cable entry from below via 3 PG11 and 1 open PG16, from above via 4 PG11 holes	213-021-00
FO splice distrib. version 2	Cable entry from below via 50 mm wide, covered opening	213-021-10
FO splice distrib. IP 54	Cable entry from below via 5 PG11 holes/protection class IP 54 (with foamed seal)	213-021-50

Scope of delivery

Item	Pc.	Description
1	1	Enclosure chassis
2	1	Door
3	2	Hinges
4	1	Sash fastener
5	4	Cable routing clamps
6	1	FO splice cassette holder for max. 5 FO splice cassettes



www.apranet.de

LAN small distribution cabinet

- small size enclosure
- patch space and cable entry area are separated by two lockable and detachable doors with different locking systems
- modular patch panel can take four part front panels 3 U / 8 HP and is suitable for mixed data connectors (FO/copper hybrid equipment)
- active components such as mini-hubs can easily be integrated
- cable entry with brush seal above and below
- cable entry in patch space through max. 4 PG16 screws (M 20)
- also available pre-configured



Sample configuration with mini-hub CAT.5 and LSA-Plus

two locking systems

integrated brush seal

Technical information

Application:

The enclosure is designed for internal wall mounting and is suitable for small copper and fibre-optic data and telecommunication networks.

Finish: RAL 7035 light grey

Material: sheet metal

Dimensions (H x W x D):

405 mm x 100 mm x 330 mm

(max. installation depth d: 250 mm)

Delivery: mounted

Scope of delivery

Item	Pc.	Description
1	1	Enclosure chassis
2	2	Doors with different locking systems
3	2	Brush seals
4	1	Distribution panel

Customised front panels are available on request!

Order no.
213-020-15

Accessories

FO front panels 3 U, 8 HP

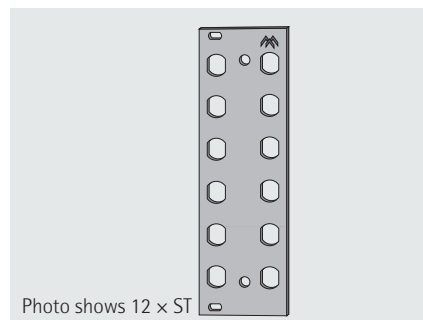


Photo shows 12 x ST

- for assembly of the non-configured FO small distribution cabinet
- front panels are numbered consecutively
- a maximum of 4 part front panels can be integrated into the LAN small distribution cabinet

Finish: anodised

Material: aluminium 2.5 mm

Front panels for other plug-in connectors on request!

Description	Order no.
Front panel 12 x ST	213-308-01
Front panel 12 x SC (6 x SC-Duplex)	213-308-02
Blind panel 3 U, 8 HP	243-308-00

CAT.6, 6-way/12-way



Photo shows 12 x RJ45

- shielded CAT.6 distribution panel
- 6-way RJ 45 (3 U / 8 HP) or 12-way RJ 45 (3 U / 10 HP)
- metal enclosure with large low-impedance galvanised surfaces
- LSA Plus connecting system
- labelled aluminium front panel

Finish:

Front panel: anodised

Enclosure: galvanised

Description	Order no.
6-way distribution panel	213-503-10
12-way distrib. panel	213-503-30



Custom wall-mounting enclosure



Enclosure for Small Office / Home Office

- can be used as wall-mounting/stand-alone and mobile enclosure
- base: VARI 2000, 4 U (see page 65)
- expandable with active ventilation - plug & play



Wall-mounting enclosure for industrial environments (IP 54)



- base: VARI Industry 12 U (2 x 6 U) (see page 68)
- modified for accommodation of active and passive network technology
- delivered as plug & play solution