



# 19" cabinet system **aprack**



... the perfect shell for valuable electronics





The universal

# aprack®



Sample configurations

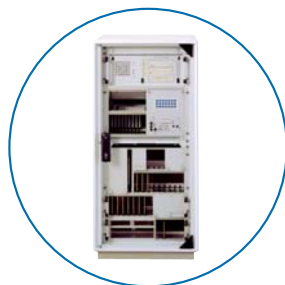
## 19" aprack cabinet system

- elegant design
- rack can be assembled very quickly (8 screws)
- 19" levels with adjustable mounting depth
- light aluminium construction
- various accessories
- available with shorted door in the 3 U area with installation space, for installing plug-in units or fan modules, or for cable entry
- doors with turning lever lock
- numerous assembly options for expanding components
- free assembly service, also for custom configurations of extension and accessory parts

### Features



Stylish design



"Mini" model  
(H= 800 mm)



Lever lock



## Specifications

### Application:

cabinet system for installing 19" plug-in units, 19" subracks, shelves, etc. suitable for office, laboratory and industrial use.

### Construction:

stable Al extrusion frame with Al die-cast corners

### Finish:

cabinet: RAL 7035 light grey  
base: RAL 7030 stone grey

### Standards:

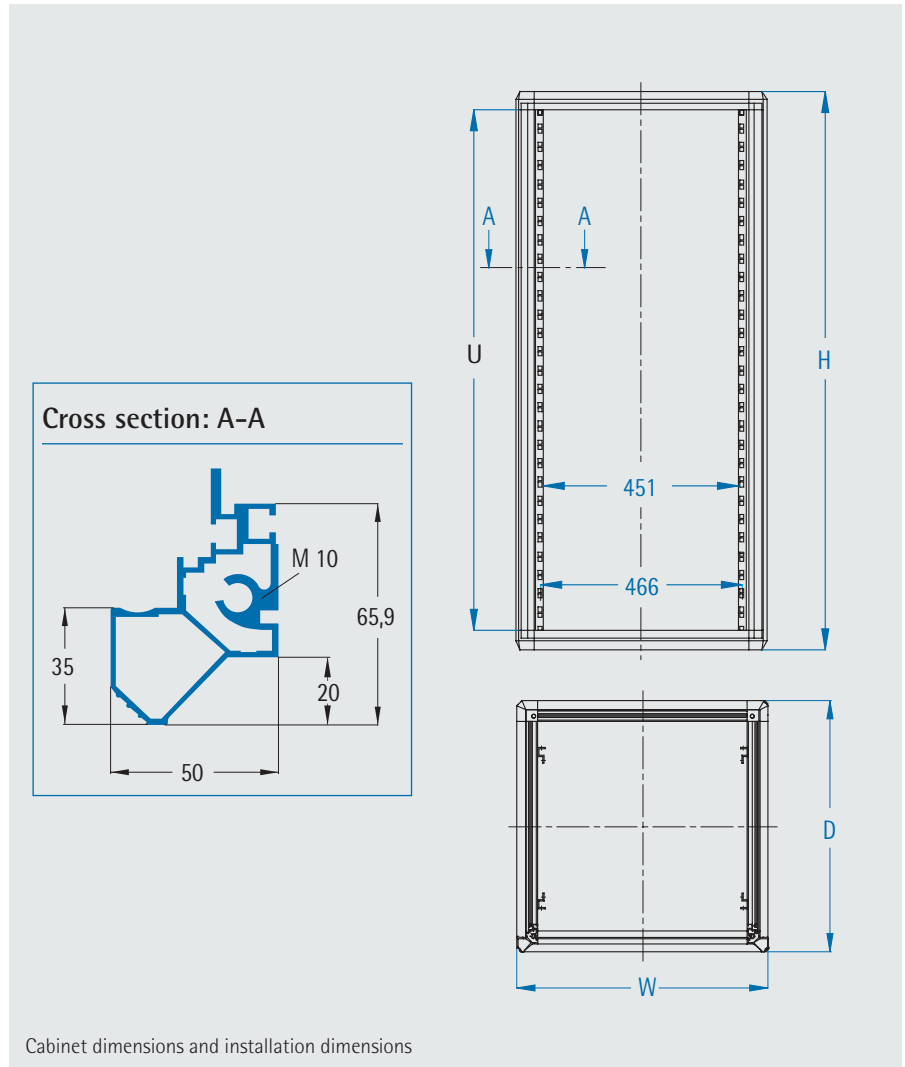
installation dimensions in compliance with IEC 297-1

### Degree of protection:

IP 20

### Delivery:

assembled



## Abbreviations

- H:** cabinet height without base/roof
- U:** number of height units for installation
- W:** cabinet width incl. sides
- D:** cabinet depth incl. door/rear panel

## Available dimensions

U	H	W	D
mm	mm	mm	mm
16	800	600	600
16	800	600	800
20	1000	600	600
20	1000	600	800
25	1200	600	600
25	1200	600	800
29	1400	600	600
29	1400	600	800
34	1600	600	600
34	1600	600	800
38	1800	600	600
38	1800	600	800
38	1800	800	600
43	2000	600	600
43	2000	600	800
43	2000	800	600

Special sizes and colours available on request.



## Basic models:

Select the basic model that meets your requirements from our wide range of cabinet systems.

Then supplement the basic model with the extension and accessory parts you need, such as bases, cover plates, etc. (beginning on p. 54).

### Finish of all models:

RAL 7035 light grey

### Delivery:

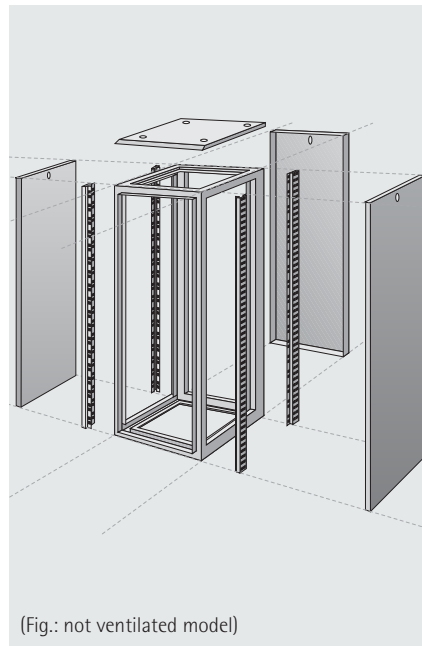
assembled

You can of course also design your entire cabinet yourself (beginning on p. 54).

Our free assembly service will not cost you any extra money!

### Model 1

#### 19" cabinet with top (ventilated/not ventilated)



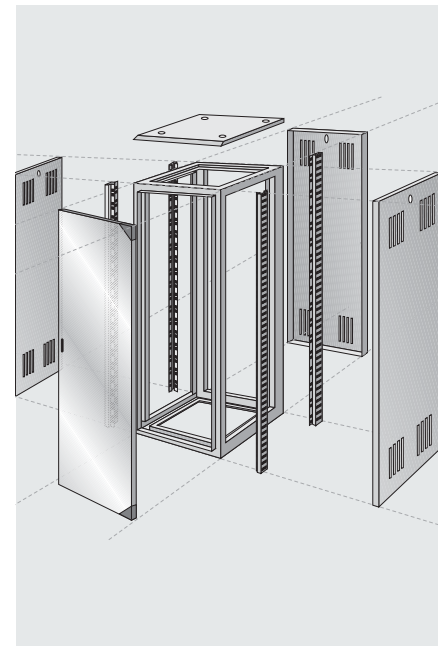
(Fig.: not ventilated model)

#### Included in delivery

Pc.	Description
1	Cabinet rack with 4 vertical mountings
2	Side panels
1	Rear panel
1	Top cover, not ventilated
1	set of blind covers

### Model 2

#### 19" cabinet with trim panels (ventilated) and safety glass door



#### Included in delivery

Pc.	Description
1	Cabinet rack with 4 vertical mountings
2	Side panels, ventilated
1	Rear panel, ventilated
1	Safety glass door
1	Top cover, not ventilated
1	set of blind covers

**Note:** The front vertical mountings are pre-installed 32.5mm from the front!

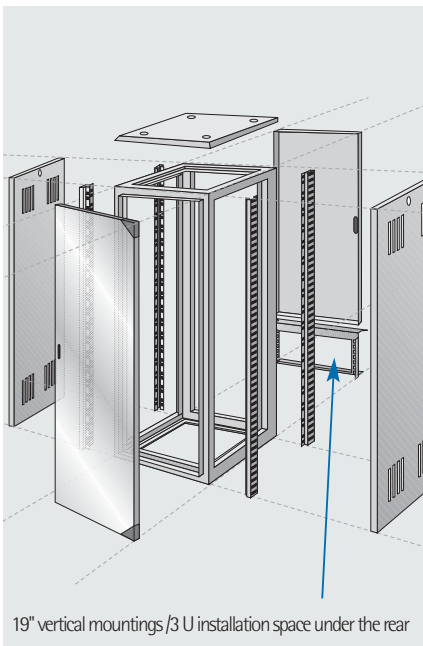
## Order information

U	H mm	W mm	D mm	Model 1		Model 2 ventilated
				ventilated	not ventilated	
16	800	600	600	11-1248-00	11-1228-00	11-1418-00
20	1000	600	600	11-1250-00	11-1230-00	11-1420-00
25	1200	600	600	11-1252-00	11-1232-00	11-1422-00
34	1600	600	600	110-256	110-236	11-0456-00
38	1800	600	600	110-258	110-238	11-0458-00
43	2000	600	600	110-260	110-240	11-0460-00
34	1600	600	800	110-266	-	11-0466-00
38	1800	600	800	110-268	-	11-0468-00
43	2000	600	800	110-270	-	11-0470-00
38	1800	800	600	-	-	-
43	2000	800	600	-	-	-



**Model 3**

19" cabinet with trim panels (ventilated), short rear door and safety glass door



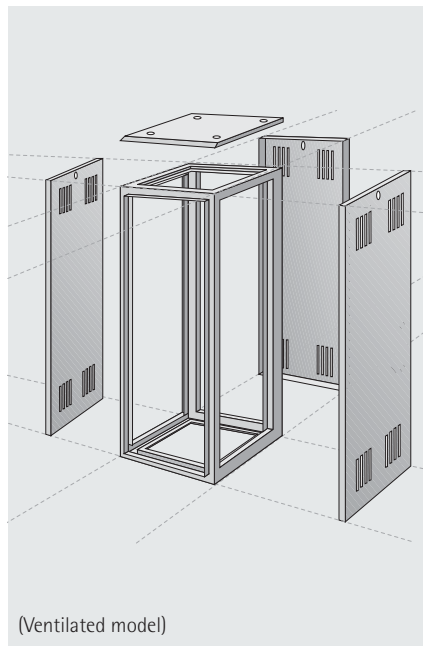
Included in delivery

Pc.	Description
1	Cabinet rack with 4 vertical mountings
2	Side panels, ventilated
1	Rear door, shortened
1	Safety glass door
1	Top cover, not ventilated
1	set of blind covers

**Note:** The front vertical mountings are pre-installed 32.5mm from the front!

**Model 4**

Modem cabinet with trim panels (ventilated/not ventilated)

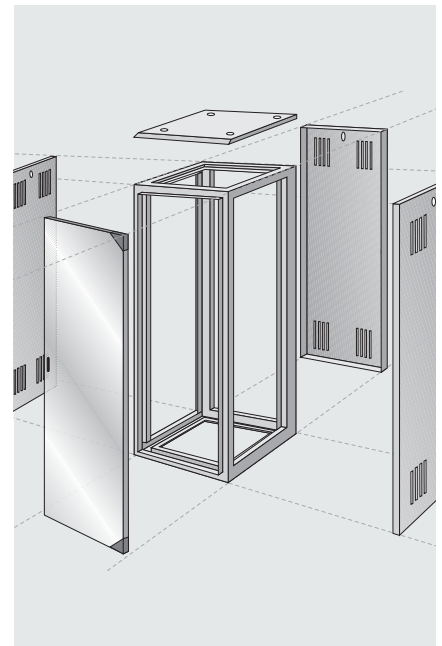


Included in delivery

Pc.	Description
1	Cabinet rack without vertical mountings
2	Side panels
1	Rear panel
1	Top cover, not ventilated

**Model 5**

Modem cabinet with trim panels (ventilated) and safety glass door



Included in delivery

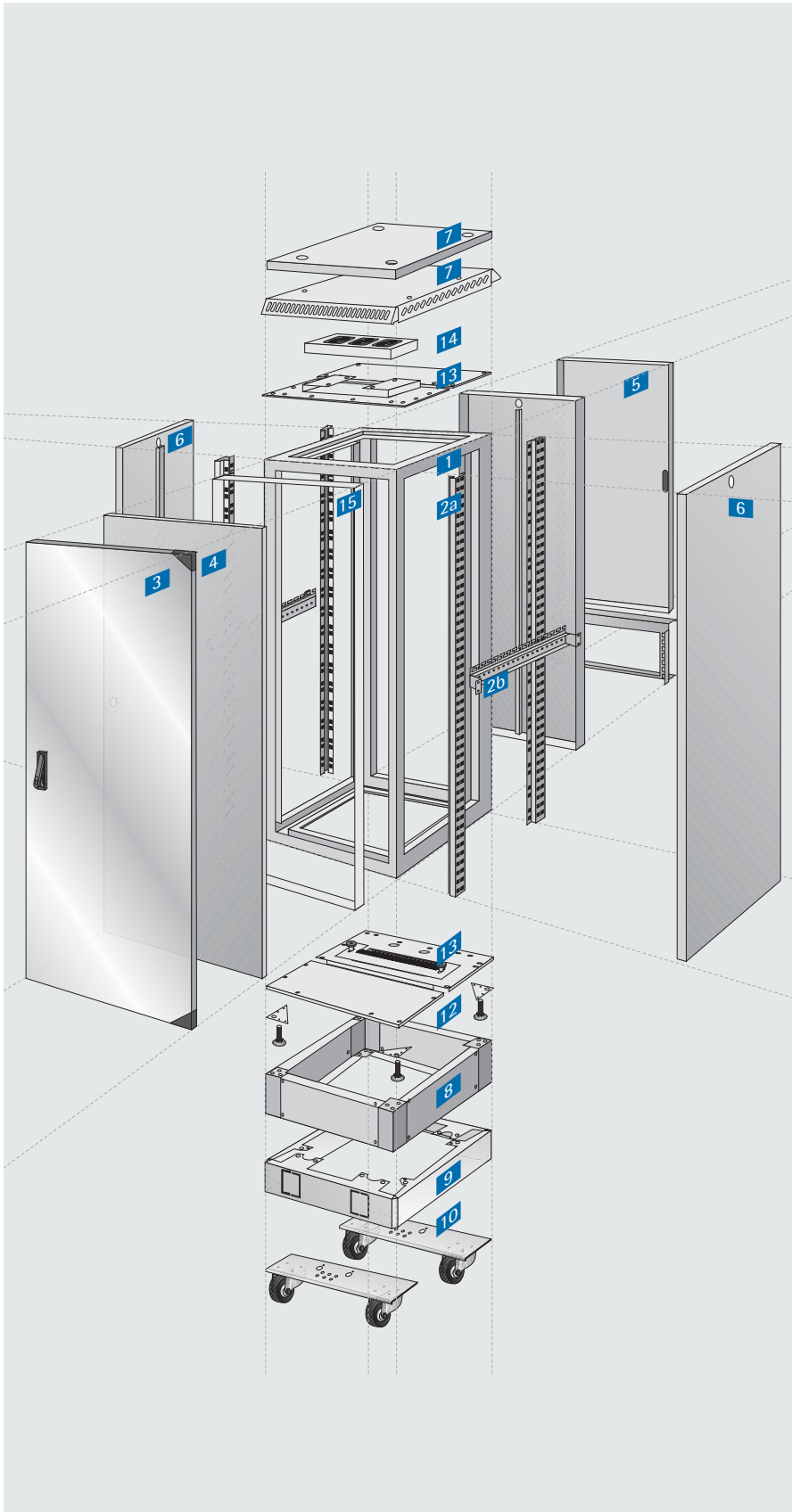
Pc.	Description
1	Cabinet rack without vertical mountings
2	Side panels, ventilated
1	Rear panel, ventilated
1	Safety glass door
1	Top cover, not ventilated

	Model 3	Model 4		Model 5
	ventilated	ventilated	not ventilated	ventilated
	-	11-1438-00	11-1428-00	11-1448-00
	-	11-1440-00	11-1430-00	11-1450-00
	-	11-1442-00	11-1432-00	11-1452-00
	11-0656-00	110-356	110-336	11-0676-00
	11-0658-00	110-358	110-338	11-0678-00
	11-0660-00	110-360	110-340	11-0680-00
	11-0666-00	110-366	-	11-0686-00
	11-0668-00	110-368	-	11-0688-00
	11-0670-00	110-370	-	11-0690-00
	-	110-388	-	11-0698-00
	-	110-390	-	11-0600-00



Individual configuration:

Design your own customised cabinet.  
Select your required cabinet components one at a time.



Item	Description	
1	Rack	55
2a	19" mounting (ASA)	55
2b	Tie-bar	55
2c	19" adjusting tie-bar (without fig.)	55
3	Safety glass door	56
4	Door, not ventilated	56
5	Door, shortened	56
6	Side panel/rear panel	56
7	Top cover	56
8	Base, H=100 mm	57
8a	Tip support	57
9	Castor cover	58
10	Castor set	58
11	Stationary base, H=50 mm (without fig.)	57
12a	Adjusting foot	57
12b	Castor kit (without fig.)	58
13	Cover plate	58
14	Fan module	59
15	Blind covers	60
16	Sliding rail	60
17	Installation plate	60
18	Shelf	61
19	Extractable tray	61

Find further expanding parts and accessories beginning on page 62!

System engineering

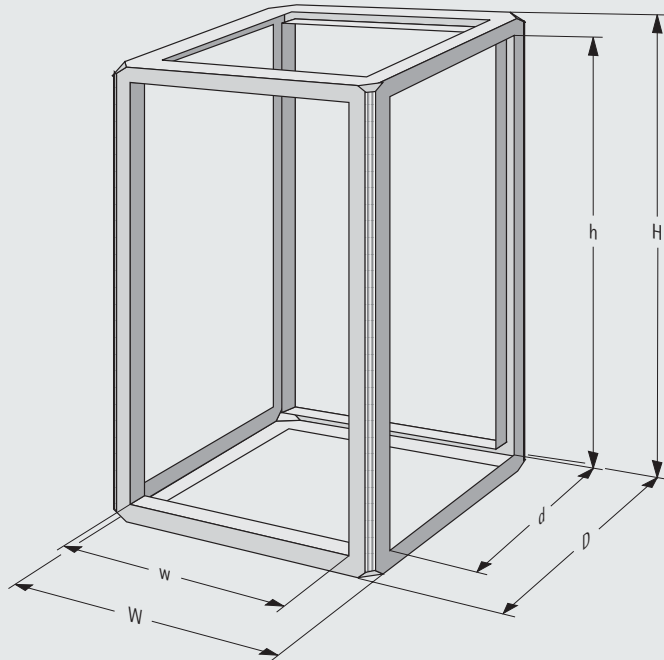
Chapter 2 "System engineering" (from page 79) shows you a multitude of 19" components for the additional equipment of your cabinet system, so as

- Air conditioning
- UPS systems
- Power supplies
- Power distributions
- Cabinet supervision
- TFT keyboard boxes





**1** Rack



W: Cabinet width	D: Cabinet depth	H: Cabinet height
w: clear opening width	d: clear opening depth	h: clear opening height
w = W - 100 mm	d = D - 152 mm	h = H - 73 mm

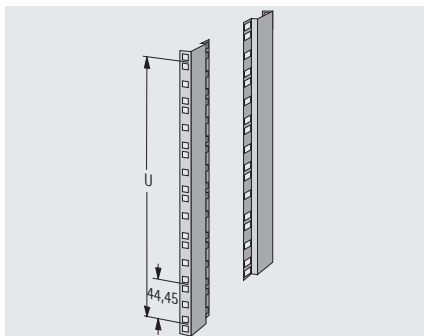
**Included in delivery**

Pc.	Description
1	Bottom frame
1	Top frame
4	Vertical extrusions (19" vertical mountings not included), fully assembled

Finish: RAL 7035 light grey

H mm	U	W mm	D mm	Part no.
800	16	600	600	111-038
800	16	600	800	11-1138-00
1000	20	600	600	111-040
1000	20	600	800	111-140
1200	25	600	600	111-042
1200	25	600	800	11-1142-00
1400	29	600	600	11-0314-00
1400	29	600	800	11-0324-00
1600	34	600	600	110-316
1600	34	600	800	110-326
1800	38	600	600	110-318
1800	38	600	800	110-328
1800	38	800	600	110-308
2000	43	600	600	110-320
2000	43	600	800	110-330
2000	43	800	600	110-310

**2a** Vertical mounting, ASA



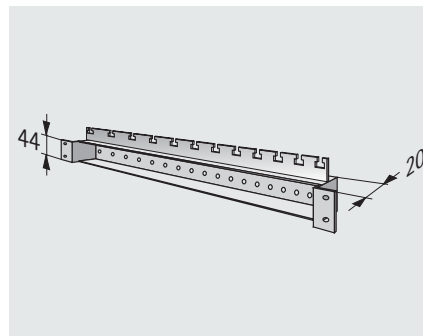
- incl. assembly material

Material: sheet steel 2 mm

Finish: galvanised

Height (H) mm	U	Part no. (pair)
-	12	11-0101-50
-	15	11-0102-50
800	16	11-0080-50
1000	20	11-0090-50
1200	25	11-0100-50
1400	29	11-0106-50
1600	34	11-0103-50
1800	38	11-0104-50
2000	43	11-0105-50

**2b** Tie-bar

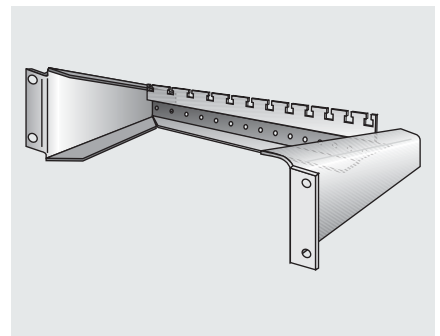


- for variable installation of 19" vertical mountings inside 600mm wide cabinets
- can be used as a cable management bracket

Finish: galvanised

Depth (D) mm	Part no. (1 piece)
600	110-089
800	110-090

**2c** 19" adjusting tie-bar



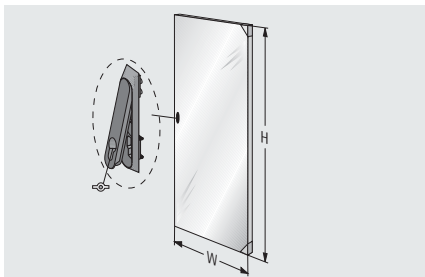
- necessary at 800mm cabinet width
- for symmetrical installation of 19" vertical mountings in 800mm wide cabinets
- can be used as a cable management bracket

Finish: galvanised

Depth (D) mm	Part no. (1 piece)
600	110-091
800	110-092

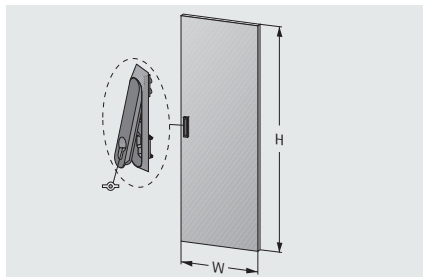


**3** Safety glass door



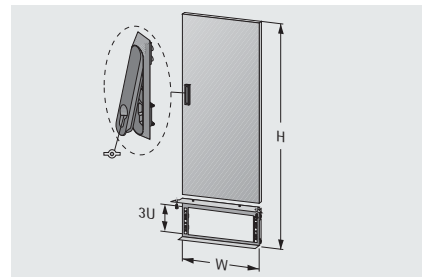
- can be used as a front or rear door
- clear safety glass 6mm
- lever lock for profile semi-cylinder
- incl. 5mm profile semi-cylinder and key

**4** Door, solid



- can be used as a front or rear door
- turning lever lock for profile semi-cylinder
- incl. 5mm profile semi-cylinder and key

**5** Shortened door, solid



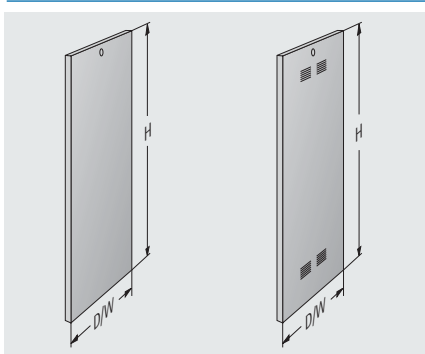
- can be used as a front or rear door
- turning lever for profile semi-cylinder
- incl. 5mm profile semi-cylinder and key
- 3 U installation (under door)

Finish: RAL 7035 light grey

Finish: RAL 7035 light grey

Width (W) mm	Height (H) mm	Part no.			profile semi-cylinder 
		Safety glass door	Door, solid	Short door, solid	
600	800	111-068	110-253	-	<ul style="list-style-type: none"> <li>• fits into turning lever lock</li> <li>• incl. 2 keys</li> </ul>
	1000	111-070	11-0255-00	-	
	1200	111-072	110-254	-	
	1400	11-0514-00	11-0277-00	11-0639-00	
	1600	110-516	110-271	11-0634-00	
	1800	110-518	110-272	11-0635-00	
800	2000	110-520	110-274	11-0636-00	<b>Part no.</b> 676-062
	1800	110-538	110-273	11-0637-00	
	2000	110-540	110-275	11-0638-00	

**6** Side panel or rear panel, ventilated or not ventilated

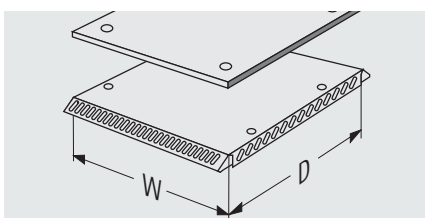


- incl. polyamide sash fastener

Finish: RAL 7035 light grey

Width (W) mm	Height (H) mm	Part no.		Lock 
		not ventilated	ventilated	
600	800	111-088	111-118	<ul style="list-style-type: none"> <li>• fits into side and rear panels</li> </ul>
	1000	111-090	111-120	
	1200	111-092	111-122	
	1400	11-0142-00	11-0140-00	
	1600	110-181	110-184	
	1800	110-182	110-185	
	2000	110-183	110-186	
800	800	11-0197-00	11-0194-00	<b>Part no.</b> 676-181
	1000	11-0198-00	11-0195-00	
	1200	11-0199-00	11-0196-00	
	1400	11-0143-00	11-0141-00	
	1600	110-187	110-190	
	1800	110-188	110-191	
	2000	110-189	110-192	

**7** Top cover



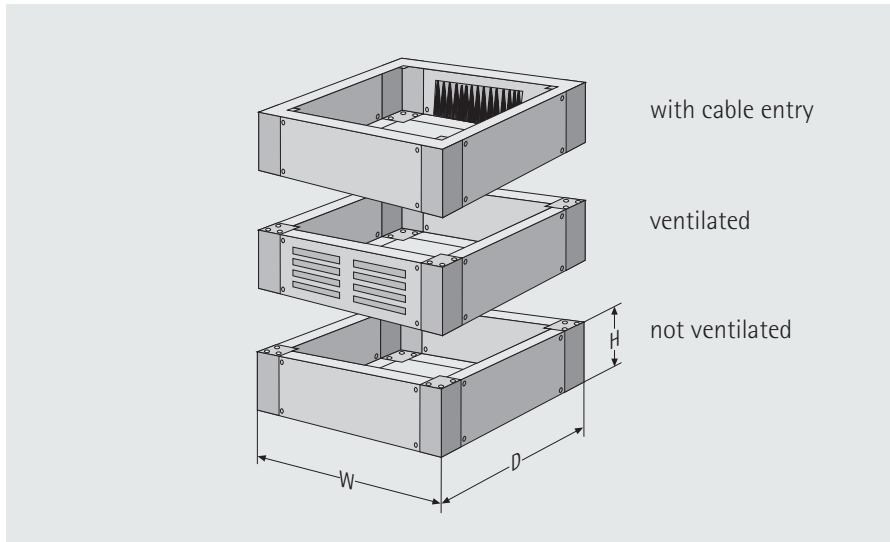
Finish: RAL 7035 light grey

Width (W) mm	Depth (D) mm	not ventilated bolted	with ventilation slots H=25 mm
600	600	11-0051-20	11-0060-00
600	800	11-0052-20	11-0061-00
800	600	11-0052-20	11-0062-00





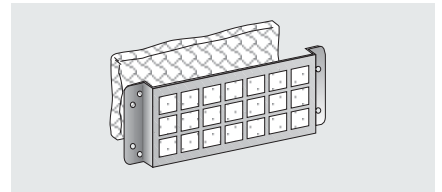
**8** Stationary base, H=100 mm



Finish: RAL 7030 stone grey

Width (W) mm	Depth (D) mm	Part no.		
		not ventilated	ventilated	with cable entry and brush
600	600	110-004	110-106	11-0206-00
600	800	110-005	110-107	11-0207-00
800	600	110-005	110-108	11-0208-00

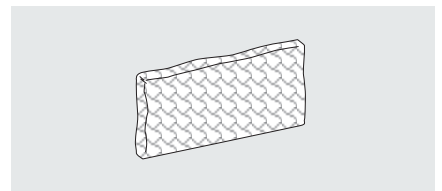
Filter set for ventilated base



- for ventilated base H=100 mm **8**

Width mm	Part no. (set)
600	11-0106-10
800	11-0108-10

Spare filter for filter set

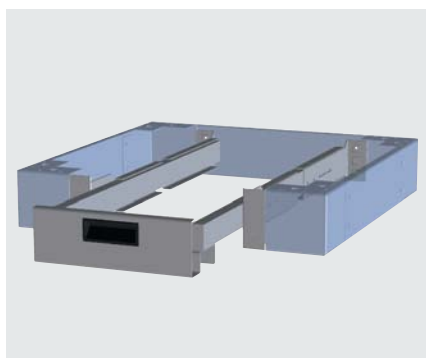


- set = 5 pieces

Material: filter fleece

Width mm	Part no. (set)
600	11-0106-14
800	11-0108-14

**8a** Tip support



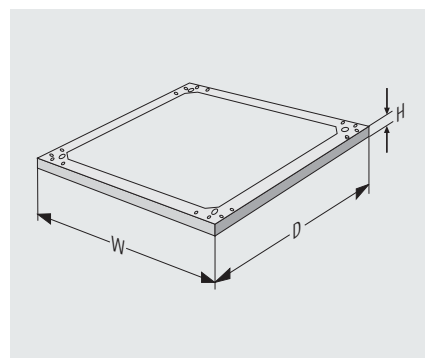
- prevents the cabinet from tipping over when heavy plug-in units are pulled out
- can be pulled out of the base
- front base panel is removed
- fits base with 100mm height H=100 mm

Finish: RAL 7030 stone grey

**8**

Height (H) mm	Width (W) mm	Depth (D) mm	Part no.
100	600	600	11-0006-00
100	600	800	11-0006-10
100	800	600	11-0006-20

**11** Base, H=50 mm

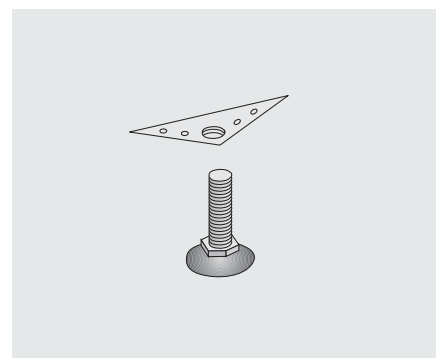


- can be used with adjusting feet **12a**
- with cut-out for cable entry
- incl. assembly material

Finish: RAL 7030 stone grey

Width (W) mm	Depth (D) mm	Part no.
600	600	110-001
600	800	110-002
800	600	110-002

**12a** Adjusting feet (set)

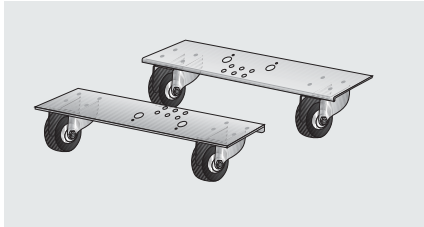


- incl. base plate and assembly material
- to attach to the rack **1** or the base **11**
- set = 4 pieces

Part no. (set)
110-012



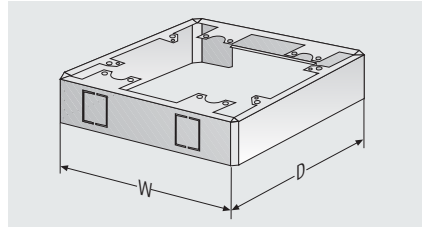
**10** Castor set



- fastened directly to the cabinet
- castor diameter: d=80mm
- carrying capacity per castor: 100kg
- cabinet height + 105mm

Width mm	with two brakes	without brake
600	11-0603-00	11-0601-00
800	11-0604-00	11-0602-00

**9** Panel for castor set



- hides the castor sets **10**
- integrated openings for cable entry
- castor brake can be operated from the outside

Finish: RAL 7035 light grey

W x D mm	Part no.
600 x 600	11-0914-50
600 x 800	11-0915-50
800 x 600	11-0912-50

**12b** Adjusting feet for castor set



- for the base adjustments in combination with the castor set **10** or the panel for castor set **9**

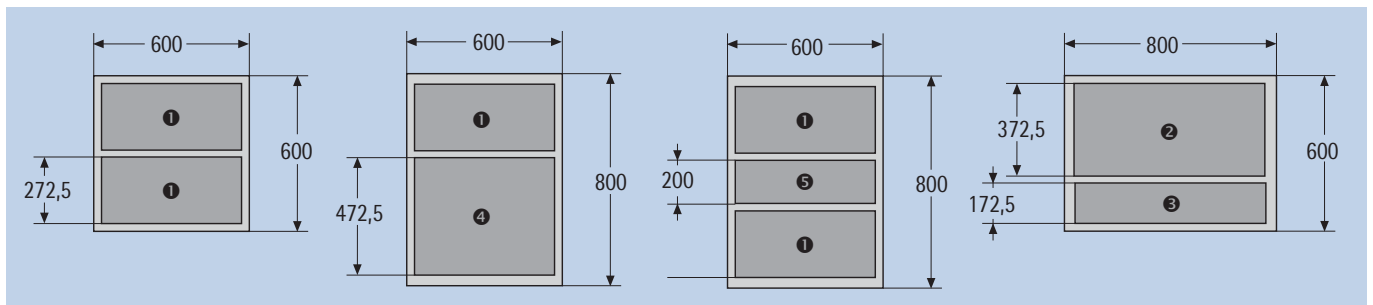
Finish: RAL 7035 light grey

Part no. (set)
11-0610-00

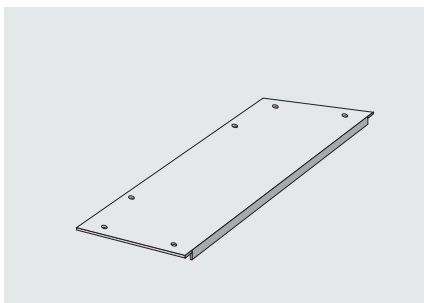
**13** Cover plates

- to cover the top and bottom openings.

The following cover plate combinations 1 to 5 are possible:



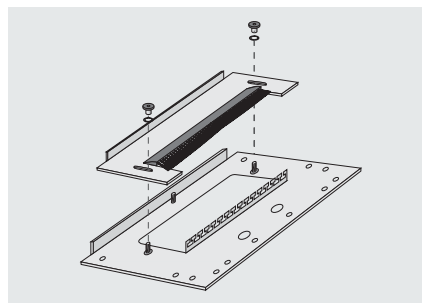
**13a** Cover plate, solid



Finish:  
RAL 7035 light grey

Size	Part no.
1	11-0700-00
2	11-0701-00
3	11-0702-00
4	11-0703-00
5	11-0714-00

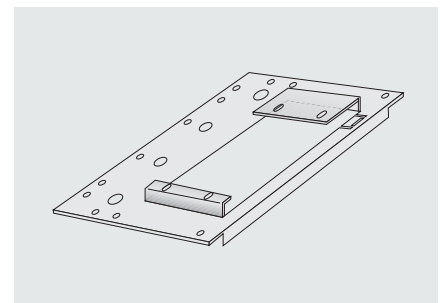
**13b** Cover plate for cable entry



Finish:  
RAL 7035 light grey

Size	Part no.
1	11-0711-00
2	11-0712-00

**13c** Cover plate for fan module



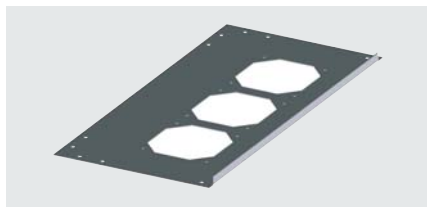
- for fan module **14** installation

Finish:  
RAL 7035 light grey

Size	Part no.
1	11-0708-00
2	11-0709-00



### 13d Fan plate for fan

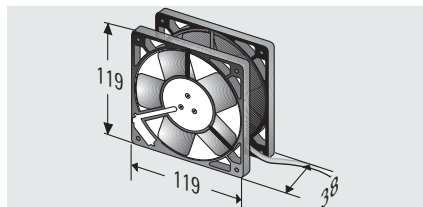


- with 3 openings for fans 119 x 119 mm

Finish: RAL 7035 light grey

Size	Part no.
①	11-0706-00
②	11-0707-00

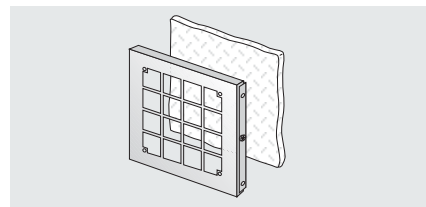
### Fan



- flow rate: 160m<sup>3</sup>/h
- for mounting on the fan plate **13d** bzw. filter set R/S
- incl. assembly material

Voltage	Noise level	Part no.
230 V	40 dB(A)	230-805
12 V	44 dB(A)	230-816

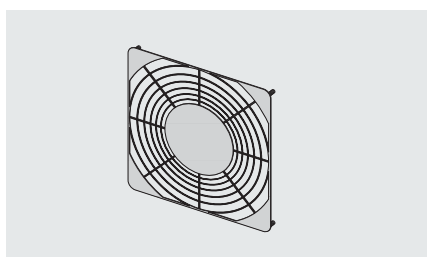
### Filter set R/S



- incl. filter mat
- for assembling fans on rear and side panels
- easily hung in the vents and tightened with a screw

Description	Part no. (set)
Filter set	11-0822-00
Spare mat	11-0822-04

### Fan guard

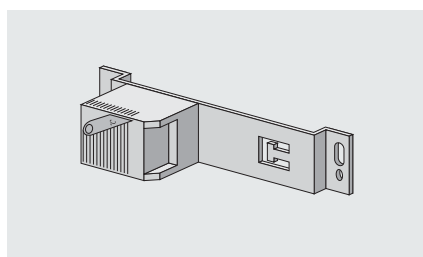


- for fans (see above)
- bolted or clipped

Material: plastic

Model	Part no.
bolted	230-818
clipped	230-819

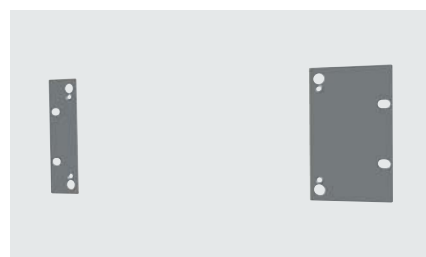
### Thermostat, 230V



- with fixing bracket and integrated tension relief
- control range 0 – 60°C
- incl. assembly material

Part no.
110-804

### 3 U fan module installation kit



- for installation of fan modules **14** on the 19" level

Finish: RAL 7035 light grey

Part no.
23-0300-12

## 14 Fan modules, pre-wired with 1-3 fans

### Fan module

- completely pre-wired with thermostat and power cable
- for installation in the fan module cover plate **13c** or the 3 U installation kit
- fan noise level: 40db(A)
- power cable: L=2.5m

Dimensions (H x W x D):  
53 mm x 448 mm x 130 mm

Descr.	Output (m <sup>3</sup> /h)	Part no.
single	160	23-0300-01
double	320	23-0300-02
triple	480	23-0300-03



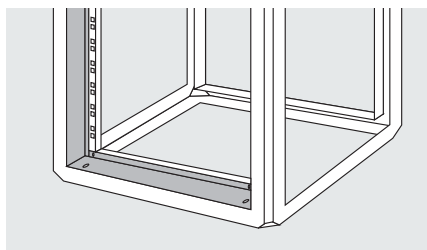
### Fan module, speed-controlled

- fan module, completely prewired
- with a 2.5m connecting cable
- for installation in the fan module cover plate **13c** or the 3 U installation kit
- **temperature** sensor for speed control
- very quiet
- intake or exhaust, depending on installation direction

Descr.	Output (m <sup>3</sup> /h)	Part no.
single	150	23-0300-51
double	300	23-0300-52
triple	450	23-0300-53



### 15a Blind cover set for cabinets with recessed mounting



- for masking the opening between the vertical mountings and rack in 600mm wide cabinets
- for 32 mm recessed installation of mountings
- distance between glass door and front plate = 62mm for recessed installation

Finish: RAL 7035 light grey

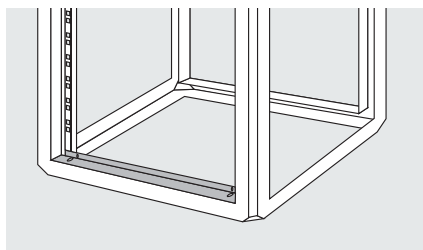
#### Included in delivery

Pc.	Description
2	Covers, vertical
2	Covers, top/bottom
	Assembly material

#### Order information

Height mm	Part no. (set)
800	11-0408-00
1000	11-0410-00
1200	11-0412-00
1400	11-0414-00
1600	11-0416-00
1800	11-0418-00
2000	11-0420-00

### 15b Blind panel set for standard mounting



- for masking the opening between the vertical mountings and rack in 600mm wide cabinets
- for standard installation of mountings
- distance between glass door and front plate = 30mm

Finish: RAL 7035 light grey

#### Included in delivery

Pc.	Description
2	Covers, top/bottom
	Assembly material

#### Order information

Height mm	Part no. (set)
800	11-0406-00
1000	11-0407-00
1200	11-0406-00
1400	11-0407-00
1600	11-0406-00
1800	11-0407-00
2000	11-0406-00

### 17 Mounting plate



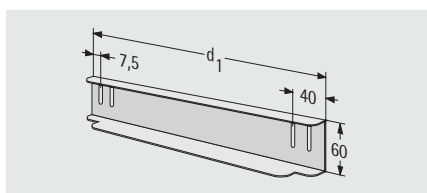
- for the individual installation of components (for example top hat rail cabinets etc.)

Finish: galvanised

#### Order information

Height (H) mm	Width (W) mm	Part no.
800	600	11-0107-08
1000	600	11-0107-10
1200	600	11-0107-12
1400	600	11-0107-14
1600	600	11-0107-16
1800	600	11-0107-18
1800	800	11-0107-58
2000	600	11-0107-20
2000	800	11-0107-60

### 16a Sliding rail, adjustable height

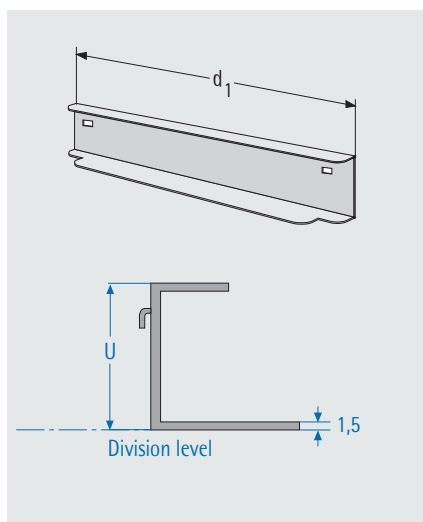


- for installing on a front or rear vertical mounting
- incl. assembly material

Finish: galvanised

Cabinet depth (D) mm	d <sub>1</sub> mm	Part no. (pair)
600	420	110-096
800	520	110-097
800	620	110-098

### 16b Sliding rail, hanging



- to hinge into vertical mountings
- not intended for the installation of subracks

Finish: galvanised

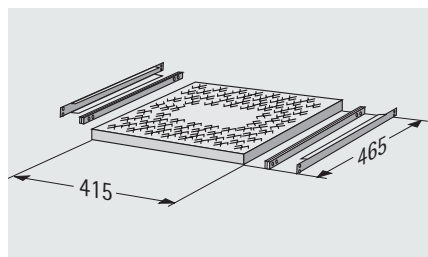
**Note:** The support surface for built-in plug-in units is 1.5mm above the partition. Pay attention to the offset between the plugin unit front panel and chassis.

Cabinet depth (D) mm	d <sub>1</sub> mm	Part no. (pair)
600	400	11-0086-10
800	500	11-0087-00
800	600	11-0088-10



### 18 Shelves

#### Shelf, for cabinets with 19" mountings



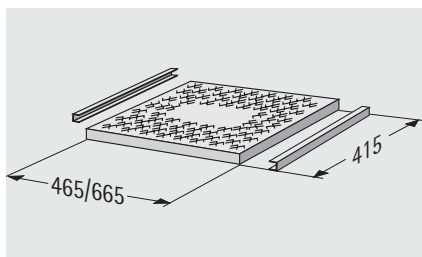
- fixed installation or extractable
- ventilated
- includes assembly material
- telescopic rails with 100% extension, enables and quick disconnecting

**Carrying capacity:** approx. 40 kg  
**Finish:** RAL 7035 light grey

Width (W)	Depth (D)	Part no.
mm	mm	
fix		
19"	600	11-0874-00
19"	800	11-0875-00
extractable, with high-quality telescopic rails		
19"	600	11-0876-00
19"	800	11-0877-00

<b>Handle set for shelf, extractable</b>
11-0872-10

#### Shelf, for cabinets without 19" mountings



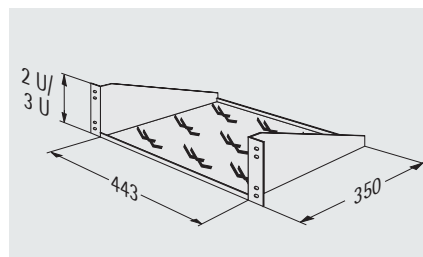
- fixed installation or extractable
- ventilated
- includes assembly material
- telescopic rails with 100% extension, enables and quick disconnecting

**Carrying capacity:** approx. 40 kg  
**Finish:** RAL 7035 light grey

Width (W)	Depth (D)	Part no.
mm	mm	
fest		
600	600	11-0870-00
600	800	11-0871-00
800	600	11-0878-00
extractable, with high-quality telescopic rails		
600	600	11-0872-00
600	800	11-0873-00
800	600	11-0879-00

<b>Handle set for shelf, extractable</b>
11-0872-10

#### Shelf, for cabinets with only one 19" vertical mounting



- fixed installation
- mounts easily onto the front or rear 19" 19" mountings
- ventilated
- incl. assembly material

**Carrying capacity:** 15 kg  
**Finish:** RAL 7035 light grey

Height	Part no.
2 U	31-5810-20
3 U	31-5810-00

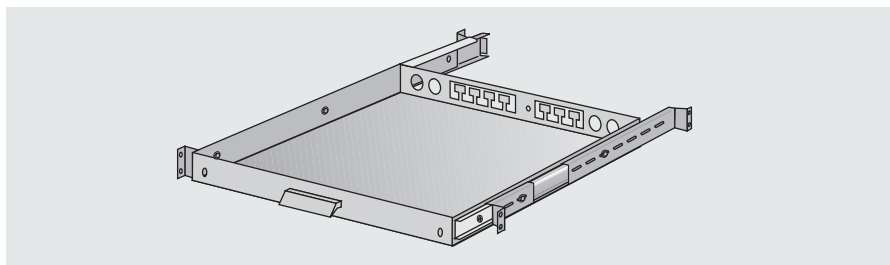
### 19 Extractable tray

- for cabinets with or without 19" vertical mountings
- rear panel with integrated cable management bracket
- telescopic rails with front quick disconnect feature and lock when pulled out
- can be installed upside down as a writing surface

**Finish:** RAL 7035 light grey

#### Included in delivery

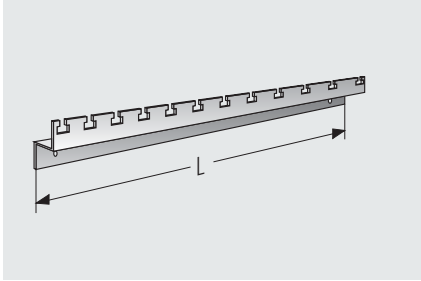
Pc.	Description
1	Extractable tray
1 pair	Telescopic rails
1	Handle
	Assembly material



Cabinet	Width (W)	Depth (D)	Available width (w)	Available depth (d)	Part no.
	mm	mm	mm	mm	
without 19" mountings	600	600	439	415	11-0880-00
	600	800	439	415	11-0881-00
	800	600	639	415	11-0884-00
with 19" mountings	19"	600	415	439	11-0882-00
	19"	800	415	439	11-0883-00
Fitting 19" front panel 1 U anodized (for cabinets with 19" mountings)					20-2219-01



### Cable management bracket



- for bundling and providing tension relief for cables with cable ties
- incl. assembly material

**Finish:** RAL 7035 light grey

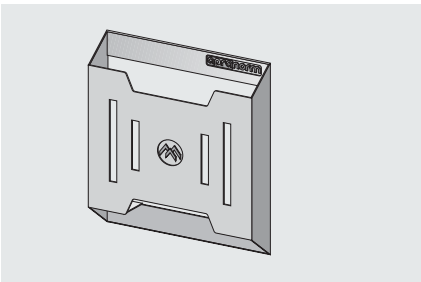
- for side installation

Depth (D) mm	L mm	Part no.
600	500	110-566
800	700	110-567

- for crosswise installation

Width (W) mm	L mm	Part no.
600	495	110-564
800	695	110-565

### Document pocket A4



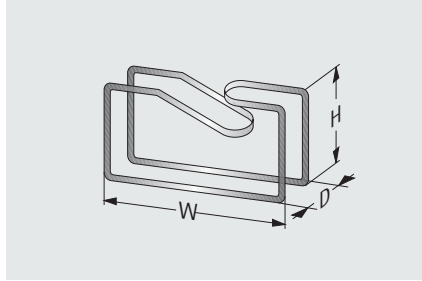
- self-adhesive
- heat-resistant up to 60°C
- your company's logo can be affixed

**Material:**  
Polystyrol, black

**Carrying capacity:** 3 kg

Part no.
640-100

### Cable hoop, metal



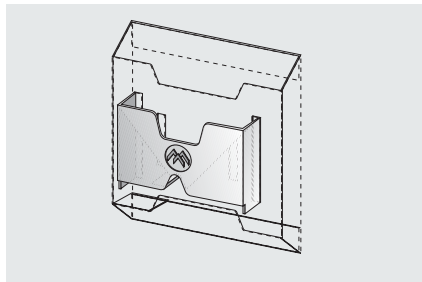
- for positioning cables vertically on the 19" frame (in case of 800mm-wide cabinets)

**Material:**  
Steel

**Delivery:**  
incl. assembly material

H x W x D mm	Part no.
47 x 85 x 23	64-0036-21
65 x 125 x 23	64-0036-31
95 x 125 x 23	64-0036-41

### CD/diskette holder for document pocket

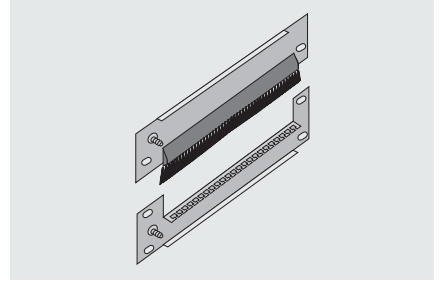


- practical supplement
- the CD/diskette holder can be hung in the document pocket

**Finish:**  
RAL 7035 light grey

Part no.
64-0100-10

### 19" cable entry, 3 U



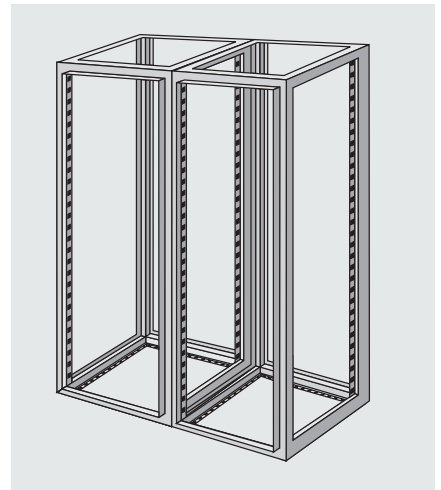
- with built-in cable management bracket and brush
- incl. assembly material

**Finish:**  
RAL 7035 light grey

**Note:** The cable entry opening can be installed in the 3 U installation space underneath the shortened rear door.

Part no.
11-0713-00

### Cabinet connecting kit



- consists of 4 connection brackets
- incl. assembly material

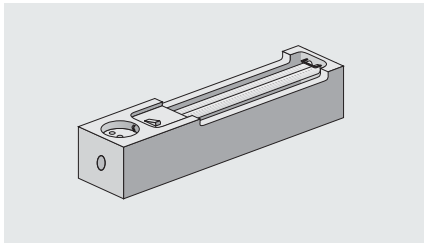
**Finish:** RAL 7035 light grey

**Note:** The side panels on the connecting sides must be removed!

Part no. (kit)
110-100



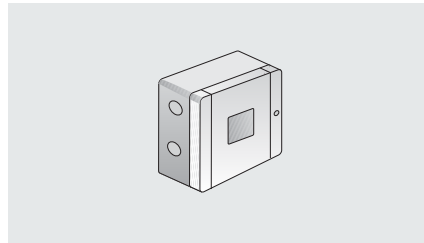
### Cabinet lamp, 230V



- shielded in compliance with VDE 0712
- 230V/50Hz 11W (equivalent to a 75W light bulb)
- magnetic attachment
- can be mounted on standard rails
- with switch and socket (power cable not included)

<b>Part no.</b>
640-143

### Socket



- use as spice box
- simple and quick installation

<b>Part no.</b>
640-059

### Velcro closer



- for the quick fixing of **non-compatible 19" components**
- Length: 400 mm

<b>Part no.</b>
67-1122-04

### Power strip 1 U

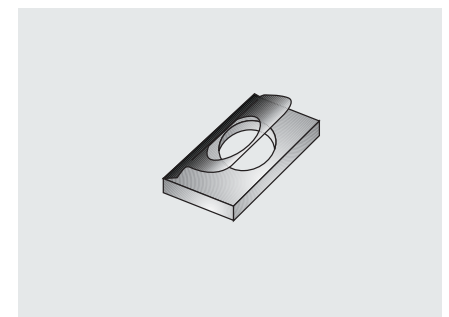


- with 19" mounting angles
- overvoltage protection
- in compliance VDE, CE, GS
- Types: - with earthing (Schuko)  
- UTE (french)
- 230 VAC, 16 A

<b>Description</b>	<b>Part no.</b>
with earthing 8-fold	59-1402-00

<b>Description</b>	<b>Part no.</b>
UTE, 7-fold	59-1402-60

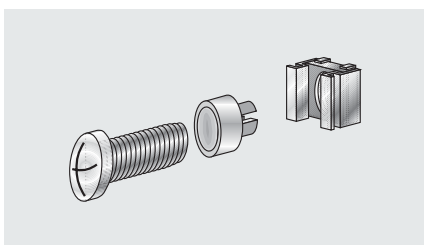
### Spring nut M 5



- for putting into the cuts of the rack **1**

<b>Part no. (1 piece)</b>
630-015

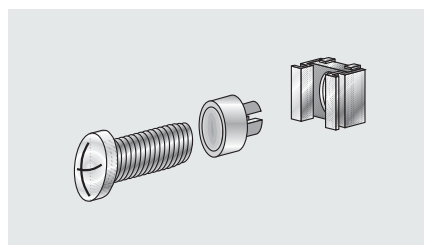
### M 5 screw set



- Included in delivery:**
- 50 screws, M5 x 12
  - 50 captive nuts, M5-8
  - 50 decorative washers, M5 with collar

<b>Part no. (set)</b>
630-991

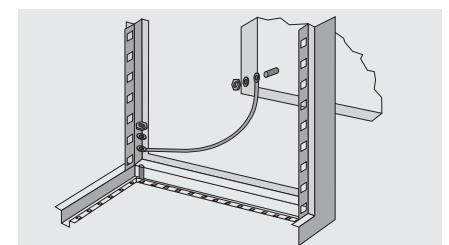
### M 6 screw set



- Included in delivery:**
- 50 screws, M6 x 16
  - 50 captive nuts, M6-8
  - 50 decorative washers, M6 with collar

<b>Part no. (set)</b>
630-994

### Earthing kit



- allows earthing of all cabinet components in compliance with VDE

<b>Part no. (set)</b>
11-0533-10



# aprack® "EURO"

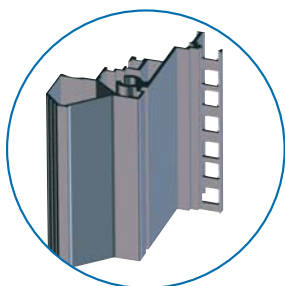


Sample configuration: EMC cabinet

## 19" aprack "Euro" cabinet system

- elegant design
- cabinet rack can be assembled very quickly (8 screws)
- light aluminium design
- various accessories
- torsion-proofed 19" mountings (built into rack)
- flush captive nut attachment in mounting bracket
- numerous assembly options for extension components
- EMC model available
- doors with turning lever lock
- free assembly service, also for custom configurations of extension and accessory parts

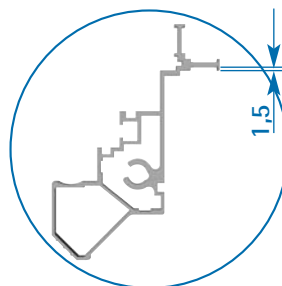
### Features



Integrated 19" mounting



EMC model available



Flush captive nut attachment in mounting bracket

Special sizes and colours available upon request





**Specifications**

**Application:**

Cabinet system for installing 19" plug-in units, 19" subracks, shelves, etc. Suitable for office, laboratory and industrial use.

**Construction:**

stable Al extrusions frame with Al diecast corners

**Finish:**

RAL 7035 light grey

**Standards:**

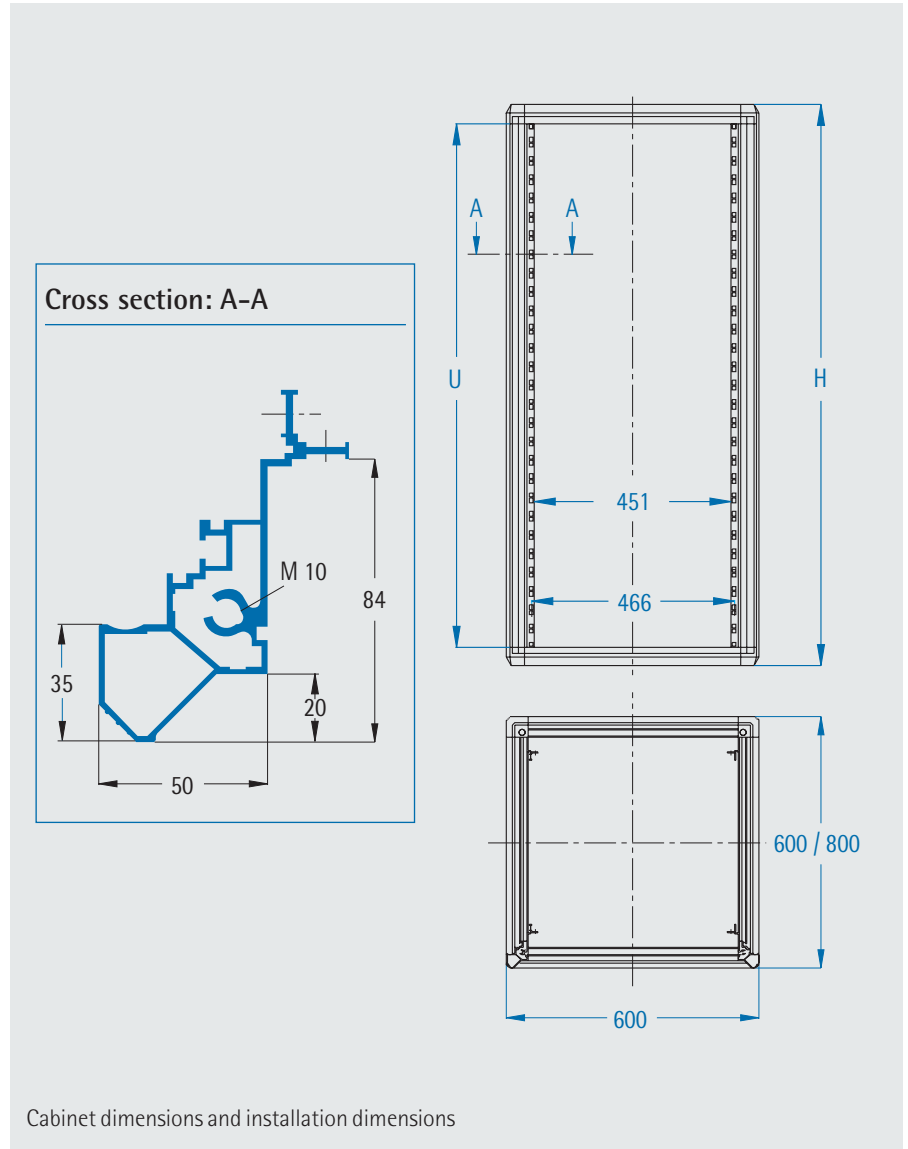
installation dimensions in compliance with IEC 297-1

**Degree of protection:**

IP 20  
IP 40 (19" EMC cabinet)

**Delivery:**

assembled



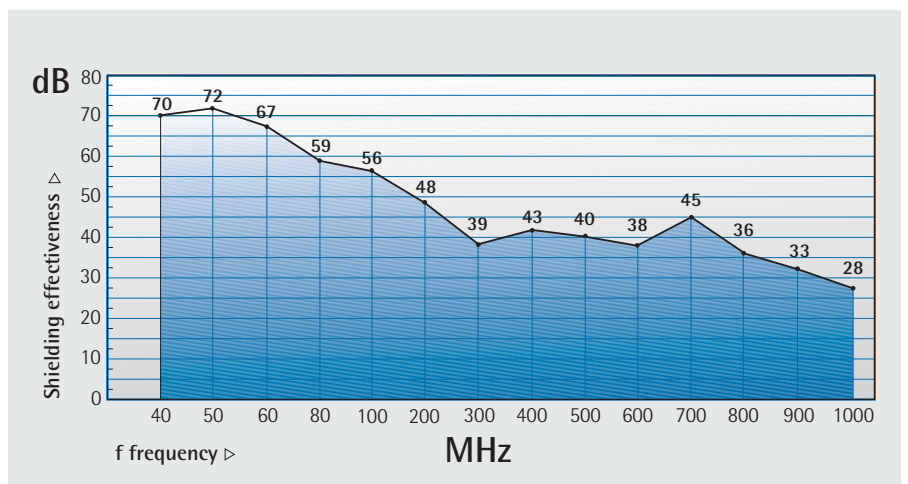
Cabinet dimensions and installation dimensions

**Shielding attenuation curve for EMC models:**

Average values; determined from measurements from an independent institute.

**Inspection specification:**

Shielding attenuation measurements were taken on the empty cabinet in compliance with VG 95373 Part 15 in the frequency range of 40 to 1000MHz.



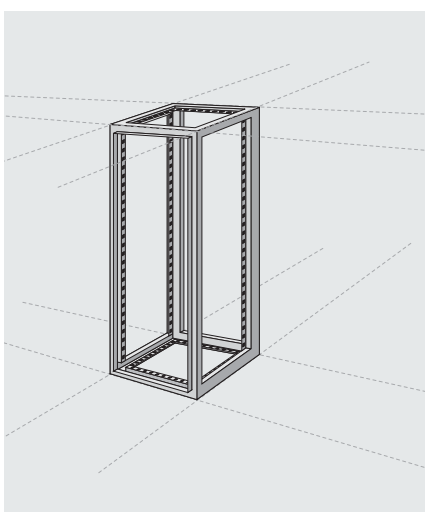


**Basic models:**

Select the basic model that meets your requirements from our wide range of cabinet systems. Then supplement the basic model with the extension and accessory parts you need, such as bases, cover plates, etc. (beginning on p. 54).

**Model 1**

**19" rack**

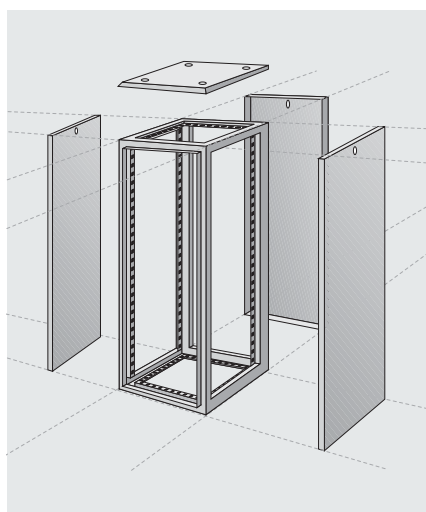


**Included in delivery**

Pc.	Description
1	Cabinet rack with 4 integrated vertical mountings
2	Cover (top/bottom)

**Model 2**

**19" cabinet with trim panels (ventilated, not ventilated)**

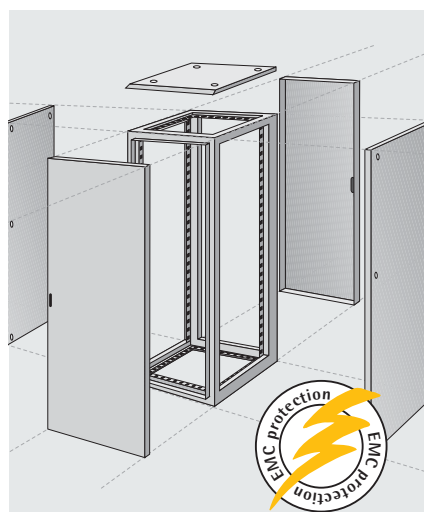


**Included in delivery**

Pc.	Description
1	Rack with 4 integrated vertical mountings
2	Side panels
1	Rear panel
1	Top panel, not ventilated
2	Cover (top/bottom)

**Model 3**

**19" EMC cabinet (not ventilated)**



**Included in delivery**

Pc.	Description
1	Rack with 4 integrated vertical mountings
2	Side panels
2	Doors with 3 point locking system
1	Top panel, not ventilated
2	Top/bottom panels, EMC
1	EMC sealing material (installed)

**Order information**

U	H mm	W mm	D mm	Model 1 open
34	1600	600	600	-
38	1800	600	600	-
43	2000	600	600	-
34	1600	600	800	110-126
38	1800	600	800	110-128
43	2000	600	800	110-130

Model 2	
ventilated	not ventilated
110-156	110-136
110-158	110-138
110-160	110-140
110-166	-
110-168	-
110-170	-

Model 3 not ventilated
-
11-0480-80
-
-
-
-

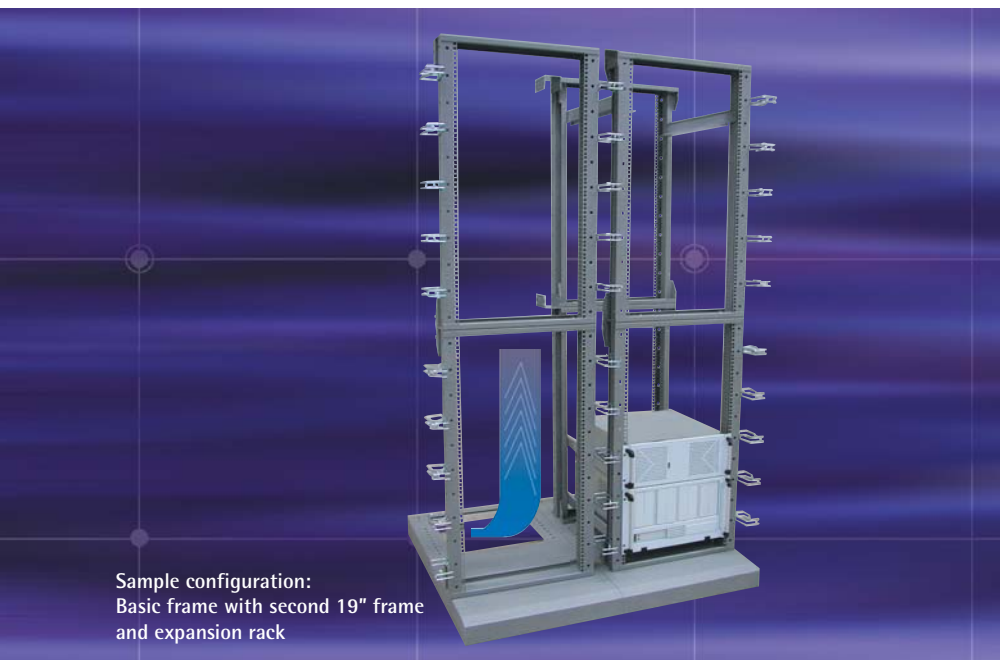
**Important note:**

Please note that the following parts from the above selection of accessories for the aprack cabinet (p. 54-63) cannot be used with the aprack "Euro".

<b>5</b> Shortened door, not ventilated	<b>2c</b> 19" adjusting tie-bar
<b>2a</b> 19" ASA vertical mounting	<b>15</b> Blind covers
<b>2b</b> Tie-bar	<b>16b</b> Sliding rails, hanging

# 19" Open Racks

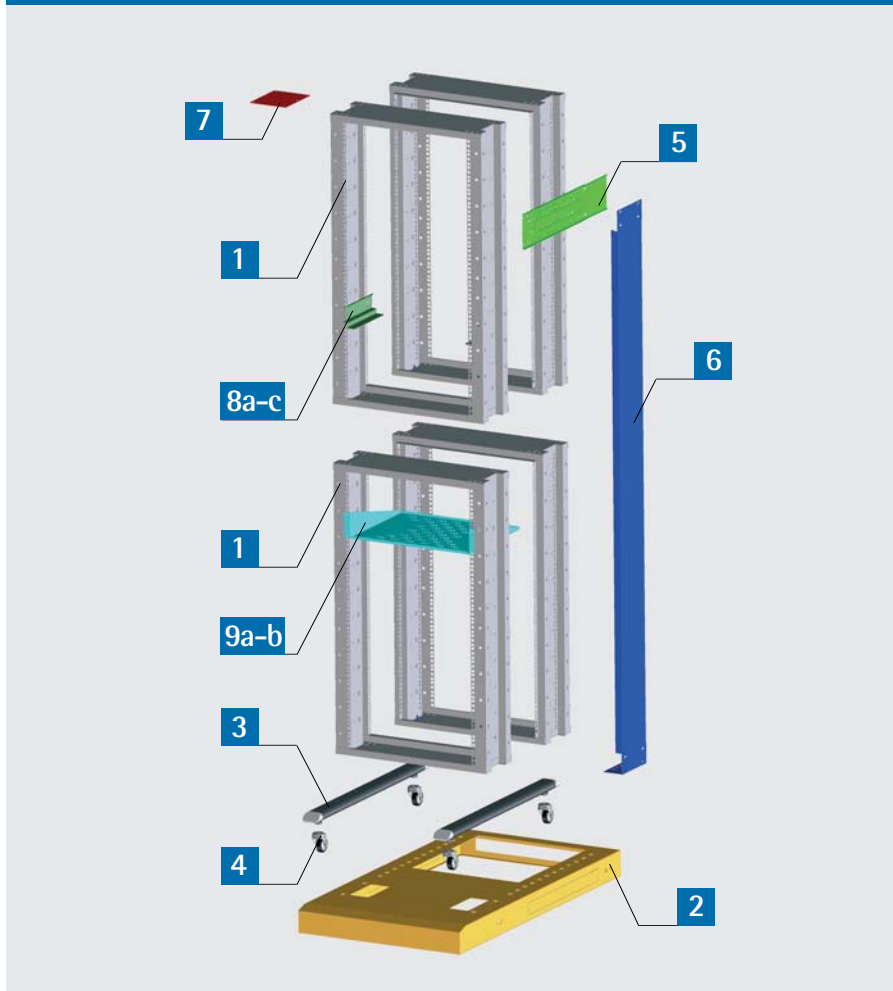




Sample configuration:  
Basic frame with second 19" frame  
and expansion rack

### Individual configuration:

Design your own customised rack.  
Select your required cabinet components one at a time.



### Open distribution rack easyVARI

- completely dismantlable on packet size
- easy transport to the location
- simple installation of passive and active network components without disturbingly cabinet parts
- no cover panels, so easy ventilation as well as installation
- 10 cable hoops are fixed for the cable conducting, the cross connection between the frames can be realised through the stationary base

**Finish:** RAL 7035 light grey

**Material:** sheet steel

**Delivery:** unassembled

#### Basic rack: included in delivery

Pc.	Description
2	19" frame 21 U
1	Base with toppling over protection H=100 mm, D=1150 mm, cable entry/exit rear and at the side
10	Cable hoops 125 x 65 mm

#### Expanding rack: included in delivery

Pc.	Description
2	19" frame 21 U
1	Base with toppling over protection H=100 mm, D=1150 mm, cable entry/exit rear and at the side
10	Cable hoops 125 x 65 mm
1	Expanding set

#### Order information

Description	H x W x D mm	Part no.
Basic rack	2100 x 600 x 1100	58-2101-00
Expansion rack	2100 x 600 x 1100	58-2101-10

Item	Description
1	19" frame 21 U
2	Base, H=100 mm
3	Kit with adjusting feet
4	Castor set (for installation on the base feet set)
5	Tie-bar, extensible
6	Cable pallet 1800 mm
7	Expanding set
8a-c	Sliding rails
9a-b	19" shelves
10	Cable hoop (without fig.)



## 1 19" frame 21 U

- Basic frame for the modular installation of distribution racks
- stable, welded steel frame

Finish: RAL 7035 light grey

Part no.
58-2101-24

## 4 Castor set

- for installation on the stand support **3**

Carrying capacity: 225 kg

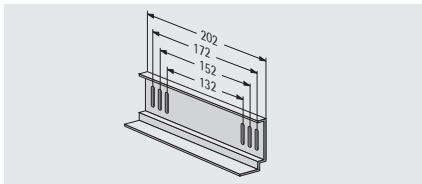
Part no.
58-2101-30

## 7 Expanding set

- for the lateral connecting of two racks

Part no.
58-2101-34

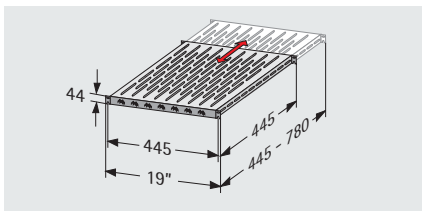
## 8a Sliding rail



- for install on one 19" level

Part no. (pair)
312-543

## 9a 19" shelf, fixed **VARI**plain



- VARIplain technology: depth variable
- telescopic: 445 - 780 mm (see figure)
- easy one-man installation through open long hole in the 19" front

Carrying capacity: 80 kg (surface charge)

Finish: RAL 7035 light grey

Material: sheet steel

Part no.
31-6036-99

## 2 Base, H=100 mm

- for the installation of a distribution rack with second depth adjustable 19" level

Finish: RAL 7035 light grey

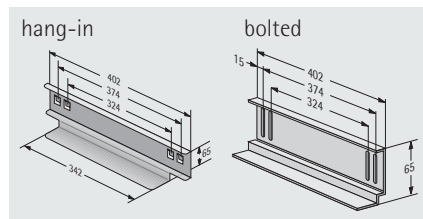
Part no.
58-2101-26

## 5 Tie-bar, adjustable

- for the connection of two one after one installed 19" mounts
- necessary for the installation of the cable pallet **6**

Part no.
58-2101-32

## 8b Sliding rails, hang-in / bolted

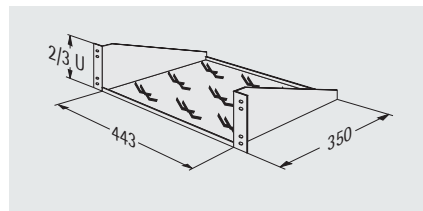


- for heavy-duty 19" elements
- necessary for the fixing of two 19" levels

Carrying capacity: 50 kg / pair

Description	Part no. (pair)
hang-in	31-6544-00
bolted	31-8120-20

## 9b 19" shelf, fixed



- easy installation on the 19" mount
- ventilated
- incl. assembly material

Finish: RAL 7035 light grey

Material: sheet steel

Carrying capacity: 15 kg

Height	Part no.
2 U	31-5810-20
3 U	31-5810-00

## 3 Stand support

- with adjusting feet
- for installation of a distribution rack with only one 19" level

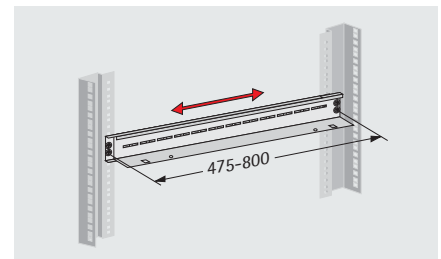
Part no. (kit)
58-2101-28

## 6 Cable pallet 1800 mm

- for the vertical cable conducting
- needs one tie-bar for the installation **5**
- internal dimensions HxWxD: 1800 x 200 x 15 mm

Part no.
58-2101-20

## 8c Sliding rail, depth adjustable

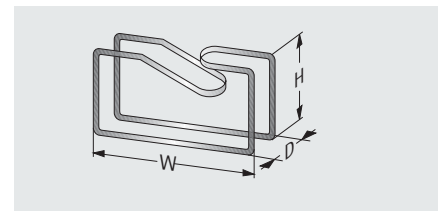


- depth adjustable
- for the installation of 19" components (for ex. servers) independant the distance between first and second 19" level

Carrying capacity: 50 kg / pair

Part no. (pair)
31-6544-20

## 10 Cabel hoop

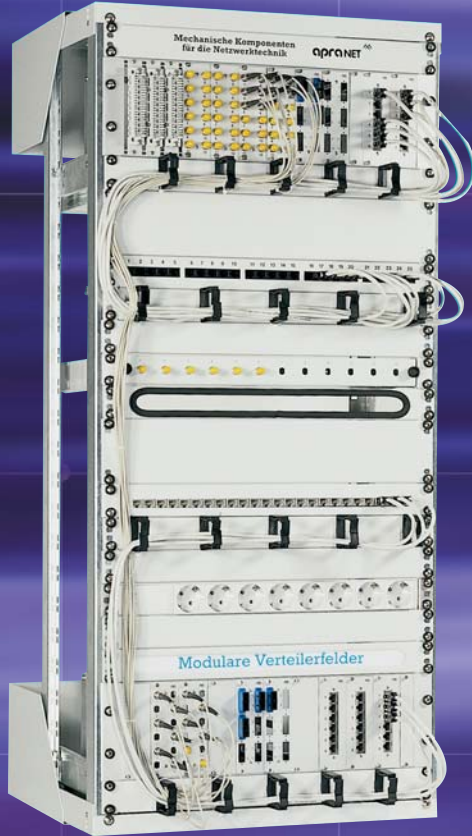


- for vertical cable fixing on the 19" frame
- steel or plastic

Material	H x W x D mm	Part no.
Plastic	43 x 55 x 9	64-0030-10
Steel	65 x 125 x 23	64-0036-31
Steel	95 x 125 x 23	64-0036-41



## 582 • 19" wall rack



Sample configuration

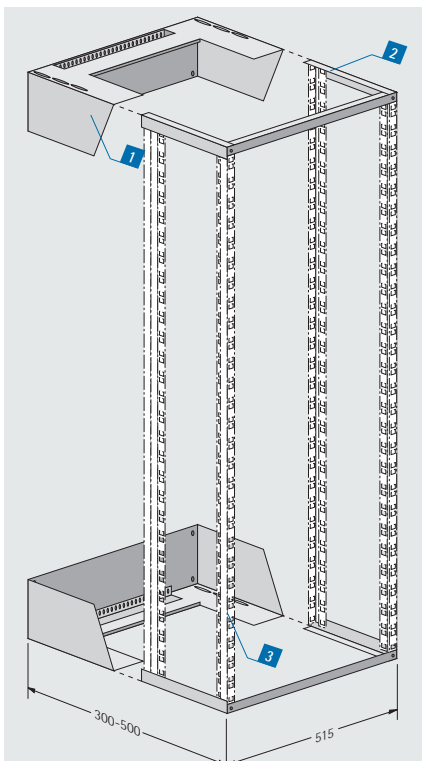
### 19" wall rack

The 19" level has an adjustable mounting depth of 300mm to 500mm so that enough cabling space is available even when deep plug-in units are installed.

Installing a second 19" level in the rack offers many options such as installing sliding rails for heavy plug-in units. The upper and lower cable entry openings have integrated tension relief rails.

The 19" wall rack is easy to assemble since the fixing holes can be marked using the mounted 19" frame on the wall and then drilled and screwed on.

### Specifications



#### Construction:

The 19" wall rack with its two wall supports **1**, upper and lower pull-out rails **2** and a front and/or rear 19" mountings **3** is a flexible and effective 19" alternative to data cabinets.

#### Finish:

Wall holder:  
RAL 7035 light grey  
Extract rail/19" mount: galvanised

#### Carrying capacity:

19" mount front: 60 kg,  
19" mount front and rear: 100 kg

#### Delivery:

unassembled

### Included in delivery

Item	Pc.	Description
<b>1</b>	2	Wall holder
<b>2</b>	2	Extraction rail

### Order information

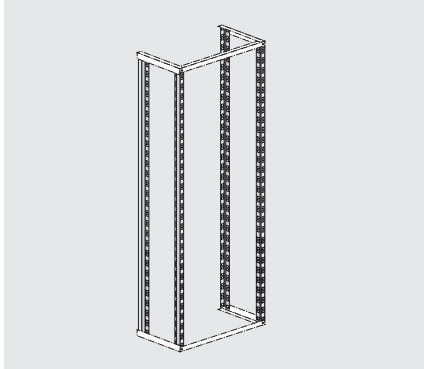
Part no.
58-2010-00

#### Note:

Up to 4 mounting brackets can be installed in open wall racks. 19" mountings **3** must be ordered separately (see p. 71).



**3** 19" mountings

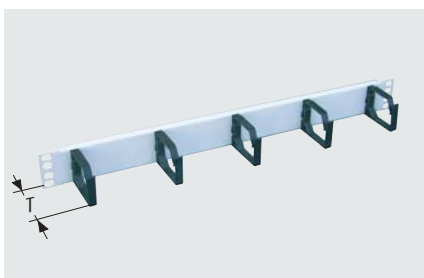


**Finish:** galvanised

**Note:** Up to 4 19" mountings can be installed in open wall racks.

U	Part no. (1 piece)
9	500-309
12	500-312
15	500-315
18	500-318
24	500-324

**19" cable guide panel 1 U with plastic hoops**



- for the perfect horizontal cable management in the 19" level
- incl. 5 cable hoops with assembly material

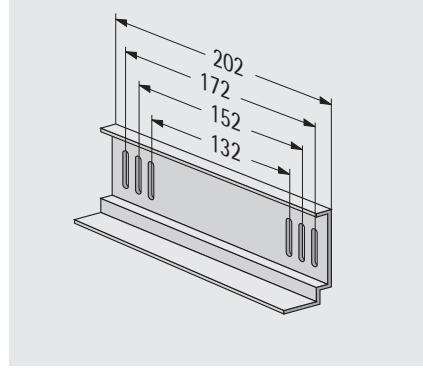
**Finish:**  
RAL 7035 light grey or  
RAL 9005 jet black

**Dimensions (H x W x D):**  
44 mm x 482,6 mm x 60 mm

**Delivery:** incl. assembly material

U	RAL 7035	RAL 9005
1	21-3145-00	21-3145-30

**Sliding rail for 19" mountings**



- for supporting heavy 19" plug-in units
- incl. assembly material

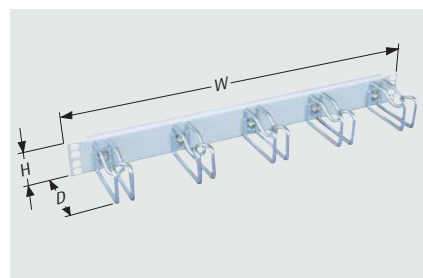
**Finish:** galvanised  
**Material:** sheet steel

**Delivery:** incl. assembly material

**Note:** Four 19" mountings are required for attaching the rails.

Part no. (pair)
312-543

**19" cable guide panel 1 U/2 U with metal hoops**



- for the perfect horizontal cable management in the 19" level
- incl. 5 cable hoops with assembly material

**Finish:** chromium plating  
RAL 7035 light grey or  
RAL 9005 jet black

**Dimensions (H x W x D):**  
1 U: 44 mm x 482,6 mm x 90 mm  
2 U: 88 mm x 482,6 mm x 130 mm

U	RAL 7035	RAL 9005
1	21-3145-05	21-3145-35
2	21-3145-10	21-3145-40

**Cable duct**



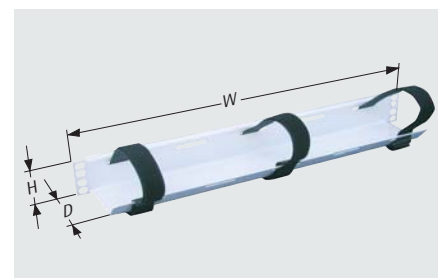
- helps manage cables when used with cable clamps
- attached to the wall between the upper and lower wall pieces

**Finish:** galvanised  
**Material:** sheet steel

**Delivery:** without assembly material

Part no.
31-5831-01

**19" cable guide panel 1 U with velcro closer**



- for the perfect horizontal cable management in the 19" level with velcro fixing
- incl. 3 velcro closers and assembly material

**Finish:**  
RAL 7035 light grey or  
RAL 9005 jet black

**Dimensions (H x W x D):**  
44 mm x 482,6 mm x 90 mm

U	RAL 7035	RAL 9005
1	21-3161-00	21-3161-10



## 582 • 19" desktop rack/laboratory trolley



Sample configuration with subracks

### 19" desktop rack 4 U

The 19" desktop rack is a simple assembly stand for 19" components in laboratories and/or testing rooms.

**Finish:** RAL 7035 light grey  
**Material:** sheet steel

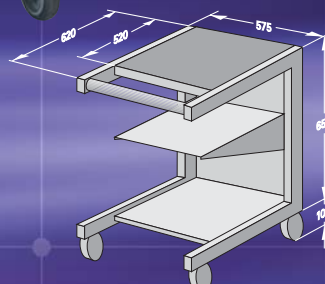
**Dimensions (H x W x D):**  
190 mm x 502 mm x 250 mm

**Delivery:** unassembled

#### Included in delivery

Pc.	Description
1	Baseplate
1	Side piece, left
1	Side piece, right
16	Screws, M5 x 12
16	Decorative washers, M5 with collar
16	Captive nut, M5-8
	Assembly material

Part no.
58-2004-00



### Lab trolley

• allows individually relocations, for ex. in data centers, lab areas etc.

**Finish:** RAL 7035 light grey  
**Material:** sheet steel

**Delivery:** unassembled  
**Carrying capacity:** 150 kg

#### Included in delivery

Pc.	Description
2	Side frame
4	Castors (2 with brakes)
1	Handle with shaped shrinkdown plastic tubing
2	Support shelves
1	Rear panel
	Assembly material

Part no.
581-101

### Shelf for lab trolley

**Finish:** RAL 7035 light grey

Part no.
581-103





## **VARIRack**

- ISP cabinet
- bisected / trisected



## **VARIRack**

- OEM server cabinet
- according to customised requirements and design



## Special cabinet combinations

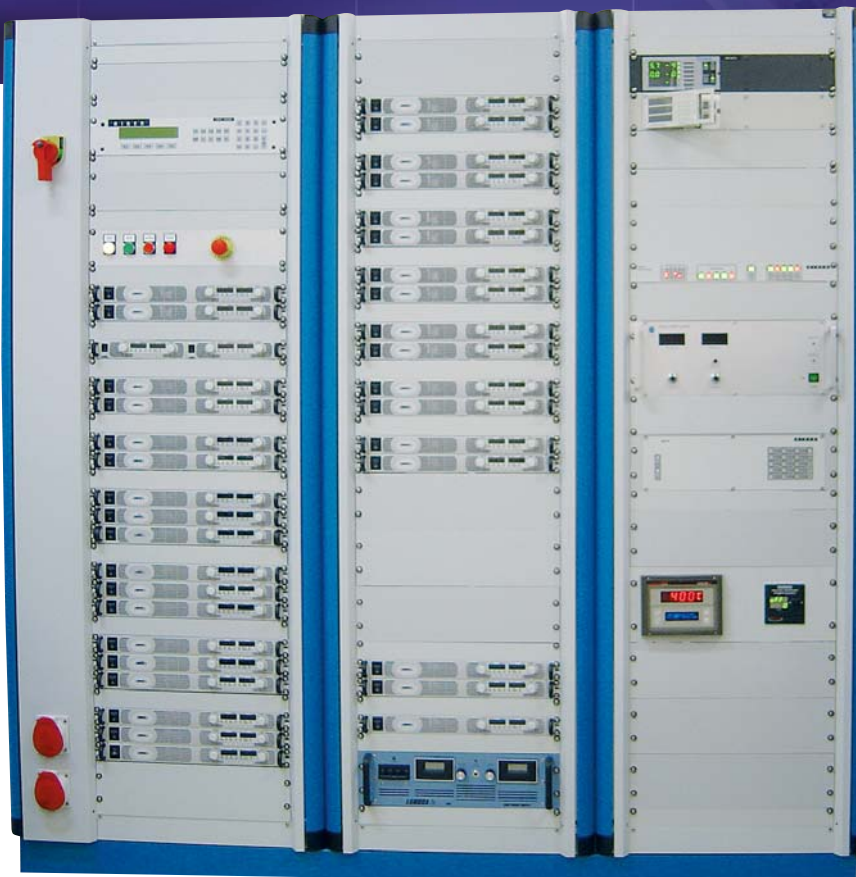
- based on the cabinet system 315 and the Vari 500 enclosure system





### Components cabinet

- based on the cabinet system VARIRack
- with tool tray and shelves



### 19" industrial control cabinet

- triple cabinet combination based on the cabinet system VARIRack
- the combination stands on a base and can be moved completely



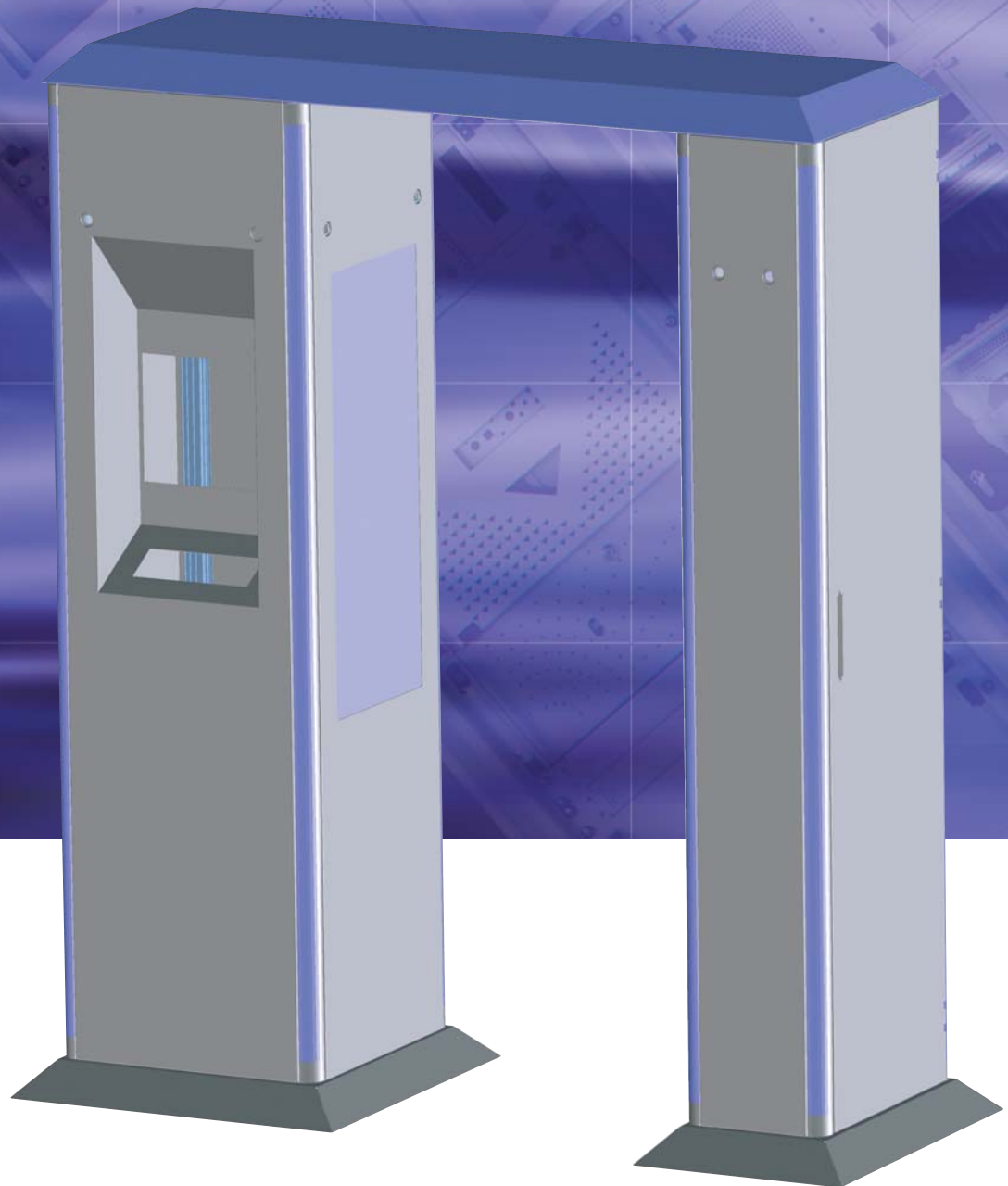
### Computer cabinet

- based on the cabinet system VARIRack
- with keyboard flap and cover set for screen installation



### Media cabinet

- based on the cabinet system VARIRack (without frontdoor)
- with foamed material for sound insulation



### X-ray tunnel

- for use in entrance control systems on airports



A damping of 80 dB in the frequency spectrum from 100 MHz to 1 GHz (corresponding the MIL demands for zone 1) is reached with:

- double-basin execution of all doors and lateral panels
- inner surfaces with lacquer-free conducting (metal parts with corrosion protection and completely galvanized)
- door sealing with contact springs and wire mesh (fig. 1)
- all lateral panels are bolted and double sealed with EMC tissue (fig. 2)
- ventilation with honeycomb vents (490 x 120 mm, fig. 3). When necessary a ventilation unit can simply be bolted on the honeycomb vent.
- power supply with high-grade powerful filters (fig. 4)
- optical waveguides are guided through PG pipes
- data cables (copper) are introduced through PG pipes and EMC screw fittings.

### Exterior dimensions H x W x D:

(2000 mm + 100 mm) x 800 mm x 800 mm, 42 U

### Finish:

RAL 7035 light grey



Fig. 1:

door sealing with contact springs and wire mesh



Fig. 2:

all lateral panels are bolted and double sealed with EMC tissue

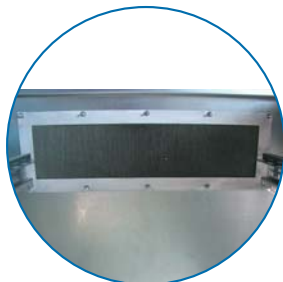


Fig. 3:

ventilation with honeycomb vents

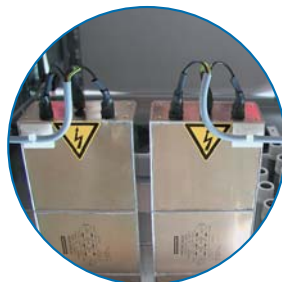


Fig. 4:

power supply with high-grade powerful filters

### EMC cabinet "DB100"

High EMC security for highest requests: the EMC cabinet DB100 is conceived for the installation of 19" components that need special protection against electromagnetic in/out radiation.

Available upon request.  
Special sizes and colours are possible.